

Section H

Ground Fault Products

Index

Products	Page Number
Features and Benefits	H-2
Heavy Duty Hospital Grade / Heavy Duty Industrial Grade GFCI Receptacles	H-3
Commercial Grade GFCI Receptacles	H-4
Commercial Hospital Grade GFCI Receptacles	H-4
GFCI Plugs	H-5
Portable Plug In GFCI Devices	H-6
Portable GFCI Line Cords	H-7-9
Multi Outlet Portable GFCI	H-10
GFCI Module	H-10
Hard Wired 30A GFCI	H-11
Portable 30A GFCI	H-12

Ground Fault Products

Features and Benefits

Circuit Guard® Heavy Duty, Hospital Grade, GFCI Duplex Receptacle

Impact resistant nylon face for abusive environments.

Pretensioned ground contacts for superior ground blade retention.

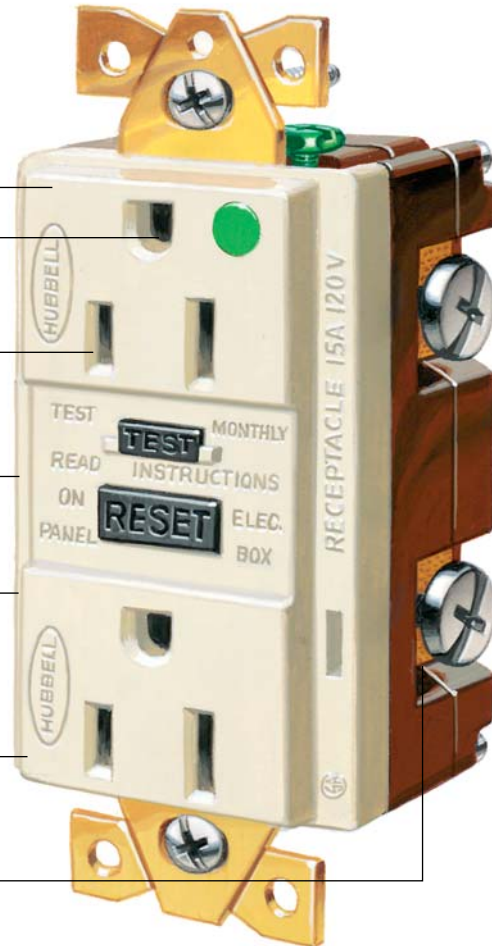
Tandem modified bypass power contacts increase spring characteristics for greater contact forces and lower operating temperatures.

Shielded coil for RFI/EMI protection of nuisance tripping.

All glass PC board provides superior moisture immunity for longer life in humid environments.

Conformal coating on PC board for additional moisture immunity.

Feed through protection.



GF8200IA

Hubbell GFCI receptacles are built for quality, designed for easy installation and packaged for convenience. Multiple grades fulfill every need. Each type of receptacle is built from materials chosen for that particular application and

packaged with the required hardware. All Circuit Guard GFCI receptacles are Class A, listed to UL standards 498 and 943 **2003 requirements** and certified to CSA standard CSA 22.2 No. 144. The operating temperature range is -35°C to +66°C.

Ground Fault Products 2 Pole 3 Wire Grounding

15 and 20 Ampere, 120 Volt AC

**Straight Blade Heavy Duty, Industrial Specification Grade
and Hospital Grade, Duplex Receptacles**



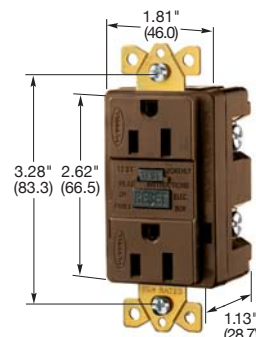
NEMA 5-15R
15A 125V
UL CSA



NEMA 5-20R
20A 125V
UL CSA

Circuit Guard® Heavy Duty Specification Grade GFCI Duplex Receptacles

Description	Color	Catalog Numbers	
Flush nylon face, side wired, multiple drive screws.	Brown	GF5262A	GF5362A
	Ivory	GF5262IA	GF5362IA
	Gray	GF5262GYA	GF5362GYA
	Red	GF5262RA	GF5362RA
	White	GF5262WA	GF5362WA

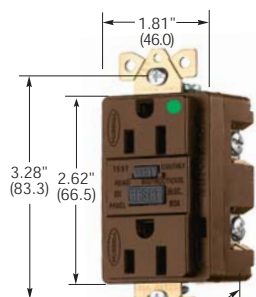


GF5262A

Circuit Guard Heavy Duty Hospital Grade, GFCI Duplex Receptacles

Description	Color	Catalog Numbers	
Flush nylon face, side wired, multiple drive screws.	Brown	GF8200A	GF8300A
	Ivory	GF8200IA	GF8300IA
	Gray	GF8200GYA	GF8300GYA
	Red	GF8200RA	GF8300RA
	White	GF8200WA	GF8300WA

Notes: GFCI type receptacles should not be used in critical care patient areas or for electrical life support equipment applications because of the possibility of power interruption. All GFCI receptacles listed above are furnished with both the proper color nylon wall plate, and, a S26 302/304 super stainless steel wall plate.



GF8200A

Specifications

Trip Level	4 to 6 mA.
Trip Time	.025 sec. nominal.
Frequency	60 Hz.
Voltage	120V AC +10% - 15%.
Amperage	15A/20A, 20A Feed Thru.
Maximum Interrupting Capacity	2000A.
Operating Temperature	-35°C to +66°C or -30°F to +150°F.
Maximum Humidity	95%.
Listings & Standards	Meets UL498 for receptacles, UL943 2003 Class A for GFCIs UL File E41978. CSA Certified.
Codes	Meets all NEC & CEC requirements.

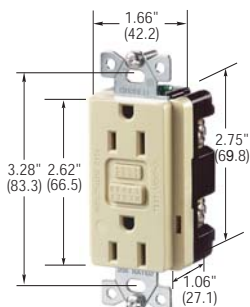
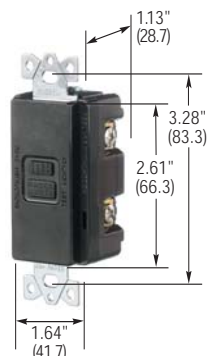
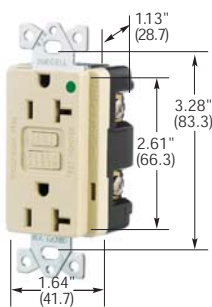
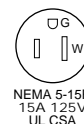
Ground Fault Products

2 Pole 3 Wire Grounding

15 and 20 Ampere, 120 Volt AC

**Straight Blade Commercial Specification Grade
and Commercial Hospital Grade GFCI Duplex Receptacles**


Meets 2003
UL 943
Requirements

**GFR5252IA****GFR5350BK****GF8300HI****Circuit Guard®
Commercial Specification Grade
GFCI Duplex Receptacles**

Description	Color	Catalog Numbers	
Flush, nylon face, back & side wired, multiple drive screws. Matching nylon wallplate included.	Brown	GFR5252A	GFR5352A
	Ivory	GFR5252IA	GFR5352IA
	Gray	GFR5252GYA	GFR5352GYA
	White	GFR5252WA	GFR5352WA
	Black	GFR5252BKA	GFR5352BKA
	Office White	GFR5252OWA	GFR5352OWA
	Red	GFR5252RA	GFR5352RA
Bulk packed, 50 pieces.	Brown	GFR5252AM1	GFR5352AM1
	Ivory	GFR5252IAM1	GFR5352IAM1
	Gray	GFR5252GYAM1	GFR5352GYAM1
	White	GFR5252WAM1	GFR5352WAM1
	Black	GFR5252BKAM1	GFR5352BKAM1

Circuit Guard Faceless GFCI

Description	Color	Catalog Numbers	
Faceless, back and side wired, multiple drive screws. Matching nylon wallplate included.	Brown	-	GFR5350
	Ivory	-	GFR5350I
	White	-	GFR5350W
	Black	-	GFR5350BK

**Circuit Guard
Commercial Hospital Grade
GFCI Duplex Receptacles**

Description	Color	Catalog Numbers	
Flush, nylon face, back and side wired, multiple drive screws. Matching nylon wallplate included.	Brown	GF8200H	GF8300H
	Ivory	GF8200HI	GF8300HI
	Gray	GF8200HGY	GF8300HGY
	Red	GF8200HR	GF8300HR
	White	GF8200HW	GF8300HW
	Office White	GF8200HOW	GF8300HOW

Note: GFCI type receptacles should not be used in critical care patient areas or for electrical life support equipment applications because of the possibility of power interruption.

Specifications

Trip Level	4 to 6 mA.
Trip Time	.025 sec. nominal.
Frequency	60 Hz.
Voltage	120V AC +10% - 15%.
Amperage	15A/20A, 20A Feed Thru.
Maximum Interrupting Capacity	2000A.
Operating Temperature	-35°C to +66°C or -30°F to +150°F.
Maximum Humidity	95%.
Listings & Standards	Meets UL498 for receptacles, UL943 2003 Class A for GFCIs UL File E41978. CSA Certified.
Codes	Meets all NEC & CEC requirements.

Ground Fault Products

2 Pole 3 Wire Grounding

15 Ampere, 120 Volt AC

Straight Blade Portable GFCI Plugs



NEMA 5-15P
15A 125V
UL CSA
0.5 HP



Circuit Guard® Wired On Industrial Portable GFCI Plug

Description	Rating	Catalog Numbers
GFCI plug, manual set, black.	2 pole, 3 wire grounding, 15A, 125V, NEMA 5-15P.	GFP5266C
GFCI plug, manual set, yellow.	2 pole, 3 wire grounding, 15A, 125V, NEMA 5-15P.	GFP5266CY
GFCI plug with 1 foot line cord, manual set, yellow, with connector body.	2 pole, 3 wire grounding, 15A, 125V, NEMA 5-15P, NEMA 5-15R.	GFP1C



GFP5266CY

Circuit Guard® Wired On Commercial Portable GFCI Plug

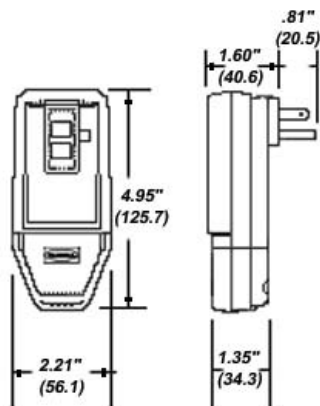
Description	Rating	Catalog Numbers
GFCI plug, automatic set field wireable, black.	2 pole, 3 wire grounding, 15A, 125V, NEMA 5-15P.	GFP515A
GFCI plug, manual set field wireable, black.	2 pole, 3 wire grounding, 15A, 125V, NEMA 5-15P.	GFP515M

Specifications

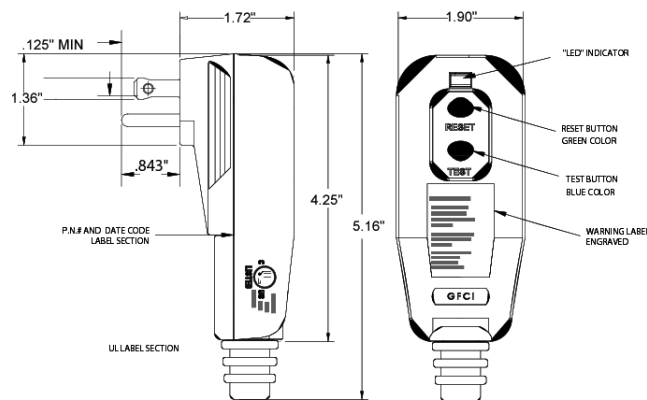
Trip Level	4 to 6 mA.
Trip Time	.025 sec. nominal.
Frequency	60 Hz.
Voltage	120V AC +10% – 15%. Incorporates no voltage release feature.
Amperage	15A.
Maximum Interrupting Capacity	2000A.
Operating Temperature	-35°C to +66°C or -30°F to +150°F.
Maximum Humidity	95%.
Housing	High-impact, UV stabilized rigid PVC. UL 94V-0 flammability classification.
Input	NEMA 5-15P.
Cord Range	16/3 – 12/3 Type SJ, 18/3 – 12/3 Type S
Cord Type: Length (GFP1C)	14/3 Type SJTW-A (UL), SJTW (CSA); 1 foot; NEMA 5-15R.
Power "ON" Indication	Neon indicator light.
Listings	Meets UL943 2003 Class A Listed, CSA Certified.
Codes	Meets all NEC® and CEC requirements.



GFP515A



GFP5266C Series- Dimensions



GFP515- Dimensions

Ground Fault Products

2 Pole 3 Wire Grounding

15 Ampere, 120 Volt AC

Straight Blade Portable Plug-In GFCI Devices and GFCI Tester

 Meets 2003
UL 943
Requirements
**GFP315A****Circuit Guard Portable Plug-In GFCI 15A 120V AC**

Description	Catalog Number
Three outlet plug-in.	GFP315A

Specifications

GFP315A	
Trip Level	4 to 6 mA.
Trip Time	.025 sec. nominal.
Frequency	60 Hz.
Voltage	120V AC +10% - 15%.
	Incorporates no voltage release feature.
Current	15A.
Maximum Interrupting Capacity	2000A.
Operating Temperature	-35°C to +66°C or -30°F to +150°F.
Maximum Humidity	95%.
Housing	High-impact ABS.
Input	NEMA 5-15P.
Output	3 NEMA 5-15R.
Fault Indication	Neon indicator light.
Center Screw	For optional permanent mounting.
Listings & Standards	Meets UL498 for receptacles, UL943 2003 Class A for GFCIs UL File E41978, CSA Certified.
Codes	Meets all NEC & CEC requirements.

**GFT2G****GFI Tester**

Description	Rating	Catalog Number
Ground fault tester.	120V AC	GFT2G

- Designed to measure the trip level of portable or "wired-in" GFCI's in a range of 2-7mA. Leakage level can be adjusted from 2-7mA.
- Will measure leakage level in small portable tools and appliances from 1-7mA.
- Ideal for measuring leakage level of GFCI breakers, GFCI portables and GFCI receptacles.

Ground Fault Products

2 Pole 3 Wire Grounding**Straight Blade Automatic and Manual Set Portable GFCI Line Cords****Circuit Guard® Manual Set GFCI Line Cord**

All glass circuit board provides superior moisture immunity.

High impact UV stabilized housing resists dust, sunlight and chemicals for long life.

Heavy-duty molded plug and connector for reliable connection.

One-piece flush sealed keypads for greater reliability and resistance to damage due to impact.

Solid (not formed) plug blades are crimped and soldered for a better connection and longer life.

Bright fault indicator light provides fault confirmation from a distance.

Watertight GFCI housing for use in harsh environments.

Heavy-duty molded strain relief prevents conductor strain and resulting failure.

Available in Manual or Automatic Set.

**GFP4C15M**

Portable GFCI Line Cords provide ground fault protection both indoors and out. They interrupt electrical power for equipment loads when leakage to ground is 4-6 milliamperes. Available in lengths

of 18" (45.7 cm), 6' (182.9 cm), and 25' (762 cm). A 15' (457.2 cm) OEM version with stripped leads is also available. They are offered with an Automatic Set or Manual Set feature to meet your application.

Ground Fault Products

2 Pole 3 Wire Grounding

Industrial Grade, Straight Blade Automatic and Manual Set Portable GFCI Line Cords

Twist-Lock® Manual Set Portable GFCI Line Cords

IP21
SUITABILITYMeets 2003
UL 943
Requirements**Circuit Guard® Automatic Set
Portable GFCI Line Cords****15A
120V AC**

Description	Catalog Numbers
18" (45.7 cm) GFCI line cord.	GFP4C15A
6' (182.9 cm) GFCI line cord.	GFP6C15A
25' (762 cm) GFCI line cord.	GFP25C15A
15' (457.2 cm) GFCI power supply cord with stripped leads.	GFPOEMA*

**Circuit Guard Manual Set
Portable GFCI Line Cords****15A 20A
120V AC 120V AC**

Description	Catalog Numbers
18" (45.7 cm) GFCI line cord.	GFP4C15M -
3' (91.4 cm) GFCI line cord.	- GFP3C20M
6' (182.9 cm) GFCI line cord.	GFP6C15M -
25' (762 cm) GFCI line cord.	GFP25C15M -
15' (457.2 cm) GFCI power supply cord with stripped leads.	GFPOEMM* -
50' (1524 cm) GFCI power supply with Elastogrip® watertight straight blade.	GFP50C15WM
100' (3048 cm) GFCI power supply with Elastogrip watertight straight blade.	GFP100C15WM

*Total length is 15' 4.5" (468.6 cm) including leads: green 4.5" (114.3), black and white 3.5" (88.9). Each prestripped .375" (9.5).

**Circuit Guard Manual Set
Twist-Lock Portable
GFCI Line Cords****15A 20A
120V AC 120V AC**

Description	Catalog Numbers
3' (91.4 cm) GFCI line cord.	GFP3C15MTL GFP3C20MTL

Automatic Set GFCI

Automatically energizes or sets the GFCI for use upon plug in and after the loss of primary power (power failure or unplugging the device). After a ground fault condition, unit must be reset by pushing the reset button. This feature eliminates the need for unit to be reset each time it is plugged in or powered up. Ideal for equipment intended for continuous use where a temporary power failure is likely and undesirable. Examples are pumps, pressure washers, portable signs or lighting and engine heaters.

Manual Set GFCI

Requires the GFCI to be manually set for use by pressing the reset button upon plug in and after loss of primary power (power failure or unplugging the device). Must be manually reset after a ground fault condition. Ideal for applications where operator injury might occur if equipment were to restart after a power failure. Typical equipment includes power drills, saws, lathes and grinders.

Specifications**Portable GFCI Line Cords**

Trip Level	4 to 6 mA.
Trip Time	.025 sec. nominal.
Frequency	60 Hz.
Voltage	120V AC +10% - 15%. Incorporates no voltage release feature.
Current	15A/20A.
Maximum Interrupting Capacity	2000A.
Operating Temperature	-35°C to +66°C or -30°F to +150°F.
Maximum Humidity	95%.
Housing	High-impact, UV stabilized PVC. UL 94V-0 flammability classification. Meets UL and CSA watertight requirements. Adhesive bonded.
Cord Type	SJTW-A (UL), SJTW (CSA).
Visual Fault Indication Light On Listing and Standards	Indicates fault. Meets UL943 2003 Class A UL File E41978 CSA Certified.
Code	Meets all NEC & CEC requirements.

**GFP4C15A****GFP3C20M****GFPOEMM****GFP3C20MTL****Straight Blade**

Input 15A NEMA 5-15P, 20A NEMA 5-20P.
Output 15A NEMA 5-15R (except GFPOEMM), 20A NEMA 5-20R.

Twist-Lock®

Input 15A NEMA L5-15P HBL47CM20C, 20A NEMA L5-20P HBL23CM11.
Output 15A NEMA L5-15R HBL47CM29C, 20A NEMA L5-20R HBL23CM13.

Ground Fault Products
2 Pole 3 Wire Grounding
 Commercial Grade
 Straight Blade Automatic and Manual Set Portable GFCI Line Cords



Circuit Guard® Portable GFCI Single Outlet	15A 120V AC
Description	Catalog Numbers
2' (45.7 cm) GFCI line cord, automatic set.	GFP2CA
2' (45.7 cm) GFCI line cord, manual set.	GFP2CM
25' (45.7 cm) GFCI line cord, automatic set.	GFP25CA
25' (45.7 cm) GFCI line cord, manual set.	GFP25CM



GFP2CA

Circuit Guard® Portable GFCI Triple Tap Outlet	15A 120V AC
Description	Catalog Numbers
2' (45.7 cm) GFCI line cord, automatic set.	GFP2TTA
2' (45.7 cm) GFCI line cord, manual set.	GFP2TTM
25' (45.7 cm) GFCI line cord, automatic set.	GFP25TTA
25' (45.7 cm) GFCI line cord, manual set.	GFP25TTM



GFP2TTA

Circuit Guard® OEM Equipment Integrated Cord Sets	15A 120V AC
Description	Catalog Numbers
15' (45.7 cm) GFCI with /flying leads, automatic set.	GFP15LA
15' (45.7 cm) GFCI with /flying leads, manual set.	GFP15LM
35' (45.7 cm) GFCI with /flying leads, automatic set.	GFP35LA
35' (45.7 cm) GFCI with /flying leads, manual set.	GFP35LM



GFP15LA

Specifications

Portable GFCI Line Cords

Trip Level	4 to 6 mA.
Trip Time	.025 sec. nominal.
Frequency	60 Hz.
Voltage	120V AC +10% - 15%. Incorporates no voltage release feature.
Current	15A.
Maximum Interrupting Capacity	2000A.
Operating Temperature	-35°C to +66°C or -30°F to +150°F.
Maximum Humidity	95%.
Housing	High-impact, UV stabilized PVC. UL 94V-0 flammability classification. Meets UL and CSA watertight requirements.
Cord Type	Adhesive bonded.
Visual Fault Indication Light On Listing and Standards	#14 AWG SJTW-A (UL), SJTW (CSA). Indicates fault. Meets UL943 2003 Class A UL File E41978 CSA Certified.
Code	Meets all NEC & CEC requirements.

Ground Fault Products

2 Pole 3 Wire Grounding

Circuit Guard®

Multiple Outlet Portable GFCI and GFCI Module



GFP15M

IP21
SUITABILITY

Multiple Outlet Portable GFCI

Description	Rating	Receptacles	Plug	Catalog Numbers
4 outlet, yellow.	15A, 120V AC	2-Duplex 5-15R	NEMA 5-15P	GFP15M
4 outlet, yellow.	20A, 120V AC	2-Duplex 5-20R	NEMA 5-20P	GFP20M



GFCI Module



GFM20

Description	Rating	Catalog Number
GFCI module, manual set, yellow.	20A, 120V AC, 60 Hz	GFM20

Specifications

	GFP15M/20M	GFM20
Trip Level	4 to 6 mA.	4 to 6 mA.
Trip Time	.025 sec. nominal.	.025 sec. nominal.
Frequency	60 Hz.	60 Hz.
Voltage	120V AC +10% - 15%.	120V AC +10% - 15%.
Max. Interrupting Capacity	No voltage release feature.	No voltage release feature.
Current	5000A.	5000A.
Operating Temperature	15A/20A.	20A.
Housing	-35°C to +66°C or -30°F to +150°F.	-35°C to +66°C or -30°F to +150°F.
Input	High-impact, yellow VALOX® with protective lift covers.	High-impact, UV stabilized, rigid PVC.
Output	5-15R(4), 15 Amp / 5-20R(4), 20 Amp.	UL 94V-0 flammability classification.
Power Supply Cord	6' (182.9 cm) STOW-A (STW FT2 CSA).	#12 AWG stranded conductors (black/white/green).
Mounting Screws	N/A	#12 AWG stranded conductors (red/gray).
Power "ON" Indication	Neon indicator light.	N/A
Agency Approvals	UL Listed, UL948 for receptacles, Meets UL943 2003, Class A for GFCI's.	Self-tapping, combination, #6-32.
Codes	Meets all NEC® & CEC requirements.	Neon indicator light.
		UL Listed, CSA Certified.
		Meets UL943 2003, Class A for GFCI's.
		Meets all NEC® and CEC requirements.

Ground Fault Products

Circuit Guard®

Hard Wired 30 Ampere GFCI



Automatic Reset GFCI



Manual Reset GFCI

Circuit Guard Hard Wired 30A GFCI

Description	Voltage	Alarm	Manual Set	Automatic Set
Hard wired, manual set and automatic set GFCIs.	120V AC	None	GFHW13005	GFHW13105
	120V AC	Audible	GFHW13015	GFHW13115
	240V AC	None	GFHW23005	GFHW23105
	240V AC	Audible	GFHW23015	GFHW23115
	120/240V AC	Audible	GFHW33015	GFHW33115
	3∅250V AC	Audible	GFHW530	GFHW531
	3∅120/208V AC	Audible	GFHW430	GFHW431

Note: All units above are stock items.

Build Your Own Catalog Number

Catalog Number Configurator:		Example: Catalog Number: GFHW23015					
GF	HW	2	3	0	1	5	
		Voltage	Amperage	Reset Type	Output Signal	Mounting Style	
Ground Fault	Hard-Wired	1-120 V AC	3 - 30 Amp	0 - Manual	0 - none	5 - Panel Mount/ Surface Mount	
		2- 240 V AC					1 - Automatic
		3-120/240V AC		2 - Line Voltage			
		4-3∅120/208V AC		3 - 24 Volt DC			
		5-3∅250V AC		4 - 12 Volt DC			

Note: 2 to 3 week lead time for all "build your own" catalog numbers.

Specifications

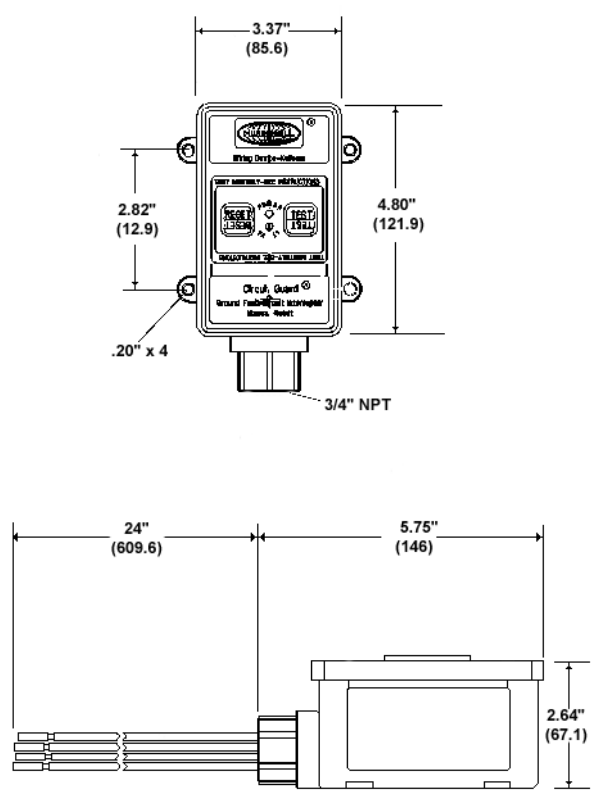
Electrical Ratings	
Rated Voltage	120V AC, 240V AC and 120/240V, 3 ∅ 250V AC, 3 ∅ 120/208V AC.
Operating Voltage Range	85% to 110%.
Current	Up to 30A or device rating.
Frequency	60 Hz.
Trip Level	4-6 mA.
Phase	Single.
Response Time	.025 sec. Max.
Dielectric Withstand	1500 VRMS across contact, 4000 VRMS between conductors and enclosure.
Surge Withstand	6000V impulse, 0.5 microseconds rise time 100 kHz ringing frequency with 40% decay per cycle.
Let go line voltage	60% of rated.
Grounded neutral detection	6 Ohms or less.
Power up	Manual or automatic reset.

Environmental Ratings	
Housing Rating	UL Type 4X.
Construction	Industrial grade design.
Type	Class A GFCI.
Operating Temperature	-35°C to +66°C.
Leakage current @ 93% humidity	Zero.

Features	
Life (Endurance)	10,000 cycles (6000 w/ load & 4000 w/o load).
Open neutral protection	Trips upon loss of neutral.
Grounded neutral protection	Trips if ground and neutral touch at load side.
Power on indicator	Green light on.
Power off indicator	Red blinking light plus optional audible alarm.
Wiring application	3 Wire Single Phase (Hot, Neutral & Ground) 4 Wire Single Phase (Line 1, Line 2, Neutral and Ground).
Switch interface	Double Insulated.
Latching Mechanism	Electromagnetic.

Physical Specifications	
Wire Leads	#10 AWG, 24" long.
Unit Color	Gray with black cover.
Label color on portable and hard wired units	Automatic reset: yellow background w/ black lettering. Manual reset: black background w/ yellow lettering.
Weight	1.40 lbs.

Dimensional Drawing



Dimensions in Inches (mm)

Ground Fault Products

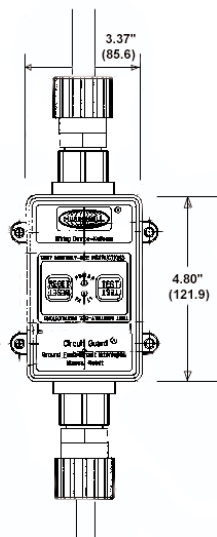
Circuit Guard®

Portable 30 Ampere GFCI



GFP1311

Dimensional Drawing



Circuit Guard Portable 30A GFCI

Description	Cord Length	Voltage	Manual Set	Automatic Set
Portable, manual set and automatic set GFCIs.	2 Foot	120V AC	GFP1301	GFP1311
	25 Feet	120V AC	GFP1302	GFP1312
	2 Foot	240V AC	GFP2301	GFP2311
	25 Feet	240V AC	GFP2302	GFP2312
	6 Feet	120/240V AC	GFP3305	GFP3315
	6 Feet	3Ø250V AC	GFP5305	GFP5315
	6 Feet	3Ø120/208V AC	GFP4305	GFP4315

Note: All units above are stock items.

Build Your Own Catalog Number

Catalog Number Configurator: Example: Catalog Number: GFP2311

GF	P	2	3	1	1
		Voltage	Amperage	Reset Type	Cord Length
Ground Fault	Portable	1-120V AC	3 - 30 Amp	0 - Manual	1 - 2 Feet
		2-240V AC		1 - Automatic	2 - 25 Feet
		3-120/240V AC			3 - 50 Feet
		4-3Ø120/208V AC			4 - 100 Feet
		5-3Ø 250V AC			5 - 6 Feet

Note: 2 to 3 week lead time for all build your own catalog numbers.

Specifications

Electrical Ratings

Rated Voltage	120V AC, 240V AC, 120/240V AC, 3Ø 250V AC, 3Ø120/208V AC.
Operating Voltage Range	85% to 110%.
Current	Up to 30A or device rating.
Frequency	60 Hz.
Trip Level	4-6 mA.
Phase	Single.
Response Time	25 ms Max.
Dielectric Withstand	1500 VRMS across contact, 4000 VRMS between conductors and enclosure.
Surge Withstand	6000V impulse, 0.5 microseconds rise time 100 kHz ringing frequency with 40% decay per cycle.
Let go line voltage	60% of rated.
Grounded neutral detection	6 Ohms or less.
Power up	Manual or Automatic reset.

Environmental Ratings

Housing Rating	UL Type 4X
Construction	Industrial grade design.
Type	Meets UL943 2003 Class A GFCI
Operating Temperature	-35°C to +66°C
Leakage current @ 93% humidity	Zero

Features

Life (Endurance)	10,000 cycles (6000 w/ load & 4000 w/o load).
Open neutral protection	Trips upon loss of neutral.
Grounded neutral protection	Trips if ground and neutral touch at load side.
Power on indicator	Green light on.
Power off indicator	Red blinking light plus optional audible alarm.
Wiring application	3 Wire Single Phase (Hot, Neutral & Ground) 4 Wire Single Phase (Line 1, Line 2, Neutral and Ground.)
Switch interface	Double Insulated.
Latching Mechanism	Electromagnetic.

Physical Specifications

Cord Type	2-50', 10/3 SJG00W, 100', 8/3 SEOW.
Unit Color	Gray with black cover.
Label color on portable and hard wired units	Automatic reset: Yellow background w/ black lettering. Manual reset: Black background w/ yellow lettering.
Weight-	2 ft. 1.8 lbs., 6 ft. 2.7 lbs., 25 ft. 6.8 lbs., 50 ft. 12.4 lbs., 100 ft. 23.3 lbs.

Plug and Connector Selector Chart (partial listing)

The chart below is a list of possible Hubbell plug and connector body products that can be used with the Hubbell Portable GFCIs.

Family	Hubbell Part Numbers	Amps	Voltage	Style
Insulgrip	HBL5266C & HBL5269C	15	120V AC	Straight Blade
Ergo Grip	HBL5567EY & HBL5579EY	20	240V AC	Straight Blade
Insulgrip	HBL2621 & HBL2623	30	240V AC	Twist-Lock
Watertight Safety-Shroud	HBL2621SW & HBL2623SW	30	240V AC	Twist-Lock
IEC Pin & Sleeve	HBL330P6W & HBL330C6W	30	240V AC	Watertight Pin & Sleeve
Insulgrip Pin & Sleeve	HBL330PS2W & HBL330CS2W	30	240V AC	Insulgrip Pin & Sleeve
Hubbelllock	HBL23035B & HBL23032B	20	120V AC	Hubbelllock

