

Wiring Diagram Index

- Find product, model #, and wiring diagram #
- Then find wiring diagrams on pgs.206-227

<p>Architectural Accessories Diagram #</p> <p>NTR-15- 26 NTR-15-GFCI- 27 NTR-15-IG-OR- 26 NTR-20- 26 NTR-20-GFCI- 27 NTR-20-IG-OR- 26 NT-CJ- 23 NT-PJ- 24 NT-PJ8CJ- 25 NT-PJ8X2- 25 NT-PJ8X3- 23, 25</p>	<p>Designer Accessories Diagram #</p> <p>CA-1PSH- 1 SC-1PS- 1 CA-3PSH- 2, 6, 7 SC-3PS- 2, 6, 7 CA-4PSH- 7 SC-4PS- 7 CAR-15H- 26 SCR-15- 26 SCR-20- 26 CAR-15-GFCIH- 27 SCR-15-GFCI- 27 SCR-20-GFCI- 27 CA-CJH- 23 SC-CJ- 23 CA-PJH- 25 SC-PJ- 25</p>	<p>Faedra™ Diagram #</p> <p>FA-600- 1 FA-600M- 8, 9, 10 FA-1000- 1 FA-1000M- 8, 9, 10 FALV-600- 1 FALV-600M- 8, 9, 10 FALV-1000- 1 FALV-1000M- 8, 9, 10 FAELV-500- 3 FAELV-500M- 11, 13 FA-S6A- 3 FA-S6AM- 11, 13 FA-AD- 9, 10, 13 FA-AS- 13</p>	<p>GRAFIK Eye 2000 Series Diagram #</p> <p>Control Unit Power, Load, and Wallstation Wiring 41</p>
<p>Ariadni® Diagram #</p> <p>AY-600P- 1 AY-600PNL- 1 AY-603P- 2, 6, 7 AY-603PNL- 2, 6, 7 AY-10P- 1 AY-10PNL- 1 AY-103P- 2, 6, 7 AY-103PNL- 2, 6, 7 AYL-600P- 1 AYL-603P- 2, 6, 7 AYF-103P- 28, 29 AYFSQ-F- 2, 6, 7 AY2-LFSQ- 20</p>	<p>Diva® Diagram #</p> <p>DVW-600PH- 1 DVW-603PH- 2, 6, 7 DV-600P- 1 DVSC-600P- 1 DV-603P- 2, 6, 7 DVSC-603P- 2, 6, 7 DV-10P- 1 DVSC-10P- 1 DV-103P- 2, 6, 7 DVSC-103P- 2, 6, 7 DVELV-300P- 3 DVSC-300P- 3 DVELV-303P- 4, 5 DVSC-303P- 4, 5 DVLV-600P- 1 DVSC-600P- 1 DVLV-603P- 2, 6, 7 DVSC-603P- 2, 6, 7 DVLV-10P- 1 DVSC-10P- 1 DVLV-103P- 2, 6, 7 DVSC-103P- 2, 6, 7 DVF-103P- 28, 29 DVSC-103P- 28, 29 DVFTU-5A3P- 2, 6, 7 DVSCFTU-5A3P- 2, 6, 7 DVFSQ-F- 2, 6, 7 DVSCFSQ-F- 2, 6, 7 DVFSQ-F-HO- 2, 6, 7 DVSCFSQ-F-HO- 2, 6, 7</p>	<p>Glyder® Diagram #</p> <p>GL-600- 1 GL-600P- 1 GL-603P- 2, 6, 7 GL-1000- 1 GL-10P- 1 GL-103P- 2, 6, 7 GLV-600- 1 GFS-5E- 17, 18</p>	<p>Maestro® Diagram #</p> <p>MAW-600H- 1 MAW-603-RH- 8, 9, 10 MA-600- 8, 9, 10 MSC-600M- 8, 9, 10 MA-1000- 8, 9, 10 MSC-1000M- 8, 9, 10 MAELV-600- 11, 13 MSC-600M- 11, 13 MALV-600- 8, 9, 10 MSC-600M- 8, 9, 10 MALV-1000- 8, 9, 10 MSC-1000M- 8, 9, 10 MA-R- 9, 10, 13 MSC-AD- 9, 10, 13 MA-S8AM- 11, 13 MSC-S8AM- 11, 13 MA-AS- 13 MSC-AS- 13</p>
		<p>GRAFIK Eye® 3000 Series Diagram #</p> <p>Control Unit Power and Load Wiring 38 Control Unit to Wallstation Wiring 39 Control Unit to Control Unit Wiring 40 3000 Series System Wiring 42 GRX-12VDC Power-supply Wiring 43 GRX-AV Control Interface Wiring 44 GRX-RS232 Control Interface Wiring 45 Control Unit to HP-2-4-6™ Wiring 46 Power Booster/Interface Wiring 47 Control Unit to FDBI Power Interface Wiring 48 HP-2-4-6 47 NGRX-PB-WH 34, 47 ELVI-1000 34, 47 GRX-FDBI-16A-120 35, 48</p>	

Wiring Diagram Index

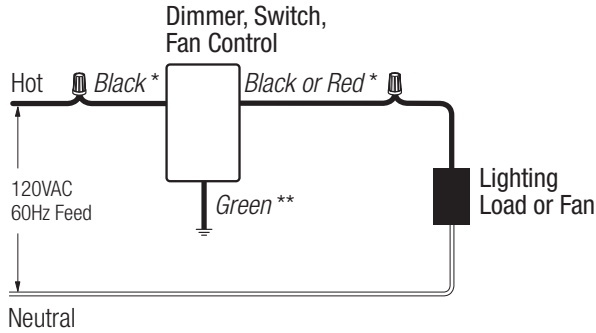
- Find product, model #, and wiring diagram #
- Then find wiring diagrams on pgs.206-227

<p>NovaT®</p> <p>NT-1PS- 1</p> <p>NT-3PS- 2, 6, 7</p> <p>NT-4PS- 7</p> <p>NT-600- 1</p> <p>NT-603P- 2, 6, 7</p> <p>NT-1000- 1</p> <p>NT-1003P- 2, 6, 7</p> <p>NT-1500- 1</p> <p>NT-1503P- 2, 6, 7</p> <p>NT-2000- 1</p> <p>NTA-2- 15</p> <p>NTB-600- 15</p> <p>NTB-1000- 15</p> <p>NTLV-600- 1</p> <p>NTLV-603P- 2, 6, 7</p> <p>NTLV-1000- 1</p> <p>NTLV-1003P- 2, 6, 7</p> <p>NTLV-1500- 1</p> <p>NTLV-1503P- 2, 6, 7</p> <p>NTELV-300- 3</p> <p>NTELV-600- 3</p> <p>NTF-10- 30</p> <p>NTF-103P- 28, 29</p> <p>NTFTU-5A- 1</p> <p>NTFSQ- 1</p> <p>NTFS-6E- 17, 18</p> <p>NTFS-12E- 17, 18</p> <p>NT-DPDT-CO-MO- 16</p> <p>NT-DPDT-CO-MA- 16</p>	<p>Diagram #</p>	<p>Qoto™</p> <p>Q-600P- 1</p> <p>Q-603P- 2, 6, 7</p> <p>Q-10P- 1</p> <p>Q-103P- 2, 6, 7</p> <p>QLV-600P- 1</p> <p>QLV-603P- 2, 6, 7</p> <p>Q-1PS- 1</p> <p>Q-3PS- 2, 6, 7</p>	<p>Diagram #</p>	<p>Skylark®</p> <p>S-600- 1</p> <p>S-600P- 1</p> <p>S-600PNL- 1</p> <p>S-603P- 2, 6, 7</p> <p>S-603PNL- 2, 6, 7</p> <p>S-1000- 1</p> <p>S-10P- 1</p> <p>S-10PNL- 1</p> <p>S-103P- 2, 6, 7</p> <p>S-103PNL- 2, 6, 7</p> <p>SLV-600P- 1</p> <p>SLV-603P- 2, 6, 7</p> <p>SELV-300P- 3</p> <p>SELV-303P- 4, 5</p> <p>SF-10P- 30</p> <p>SF-103P- 28, 29</p> <p>SFTU-5A3P- 2, 6, 7</p> <p>SFS-5E- 17, 18</p> <p>SFSQ-F- 1</p> <p>SFSQ-F-HO- 1</p> <p>SFSQ-LF- 17, 18</p> <p>S2-L- 19</p> <p>S2-LF- 20</p> <p>S2-LFSQ- 20</p>	<p>Diagram #</p>	<p>Spacer System™</p> <p>SPS-5WC- 21</p> <p>SPS-5WCR- 22</p> <p>SPS-600- 1</p> <p>SPS-600M- 8, 9, 10</p> <p>SPS-1000- 1</p> <p>SPS-1000M- 8, 9, 10</p> <p>SPSLV-600- 1</p> <p>SPSLV-600M- 8, 9, 10</p> <p>SPSLV-1000- 1</p> <p>SPSLV-1000M- 8, 9, 10</p> <p>SPSELV-600- 3</p> <p>SPSELV-600M- 11, 13</p> <p>SPSF-5A- 3</p> <p>SPSF-6A- 30</p> <p>SPSF-6AM- 31, 32</p> <p>SPSF-S6A- 3</p> <p>SPSF-S6AM- 11, 13</p> <p>SPS-AD- 9, 10, 13, 32</p> <p>SPS-AS- 13</p>	<p>Diagram #</p>	<p>Rotary</p> <p>D-600P- 1</p> <p>D-600R- 1</p> <p>D-603P- 2, 6, 7</p> <p>DNG-600P- 1</p> <p>DNG-603P- 2, 6, 7</p> <p>FSQ-2F- 1</p> <p>FS-5E- 17, 18</p> <p>FS-5F- 1</p>	<p>Diagram #</p>	<p>Spacer®</p> <p>SP-600-HTH- 1</p> <p>SP-603-HTH- 8, 9, 10</p> <p>SP-600- 1</p> <p>SP-600M- 8, 9, 10</p> <p>SP-1000- 1</p> <p>SP-1000M- 8, 9, 10</p> <p>SPLV-600- 1</p> <p>SPLV-600M- 8, 9, 10</p> <p>AD- 9, 10</p>	<p>Diagram #</p>	<p>Vareo®</p> <p>V-600- 8, 9, 10</p> <p>V-1000- 8, 9, 10</p> <p>VF-10- 31, 32</p> <p>VETS-1000- 8, 9, 10</p> <p>VETS-1000-SL- 11, 14</p> <p>VETS-A-SL- 14</p> <p>VETS-R- 9, 10, 13, 15, 32</p> <p>VETN-1000- 11, 12, 13, 15</p>	<p>Diagram #</p>
---	------------------	--	------------------	---	------------------	---	------------------	---	------------------	---	------------------	--	------------------

Wiring Diagrams

Wiring Diagram #1

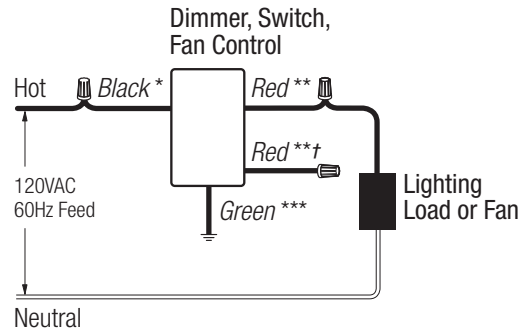
Single-pole wiring



* or Brass screw terminal
** or Green screw terminal

Wiring Diagram #2

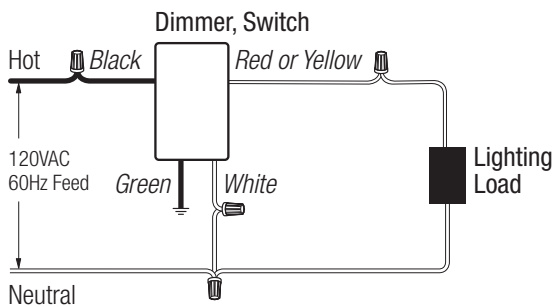
Single-pole wiring of 3-way control



* or Copper/Black screw terminal
** or Brass screw terminal
*** or Green screw terminal
† or Red/White stripe (cap off)

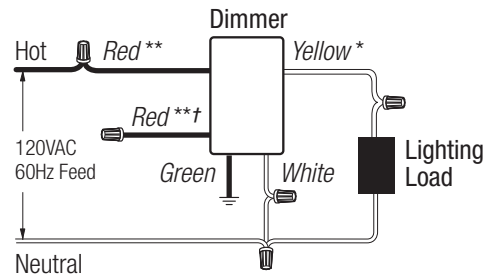
Wiring Diagram #3

Single-pole wiring with neutral wire connection



Wiring Diagram #4

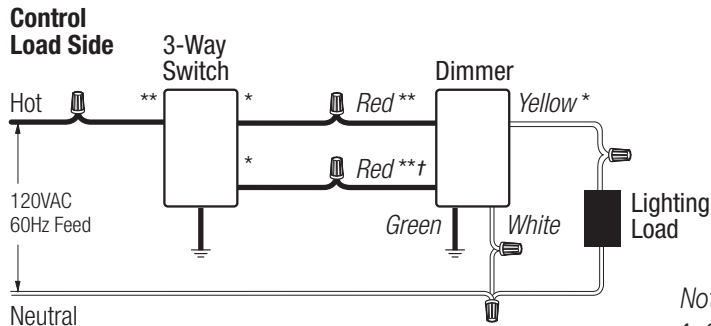
Single-pole wiring of 3-way control with neutral wire connection



* or Copper/Black screw terminal
** or Brass/Gold screw terminal
† or Red/White stripe (cap off)

Wiring Diagram #5

3-way wiring with neutral wire connection



* or Copper/Black screw terminal
** or Brass/Gold screw terminal
† or Red/White stripe (cap off)

Note:

1. Only one dimmer can be used per 3-way circuit. Follow this diagram when incorporating a 3-way on/off switch with the dimmer. The 3-way switch must be wired on line side of the dimmer.



Ground



Wire Connector

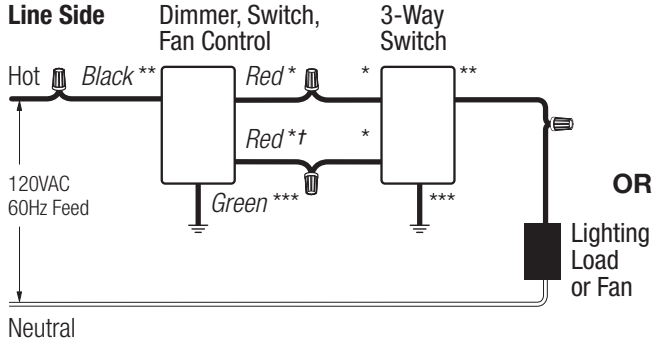
Mounting hardware, wire connectors, and instructions included with all products.

Wiring Diagrams

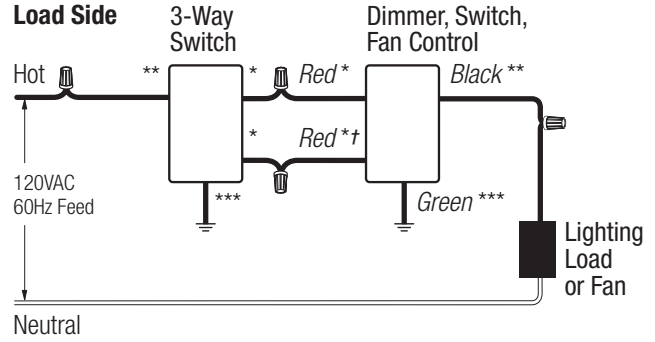
Wiring Diagram #6

3-way wiring

Control Line Side



Control Load Side

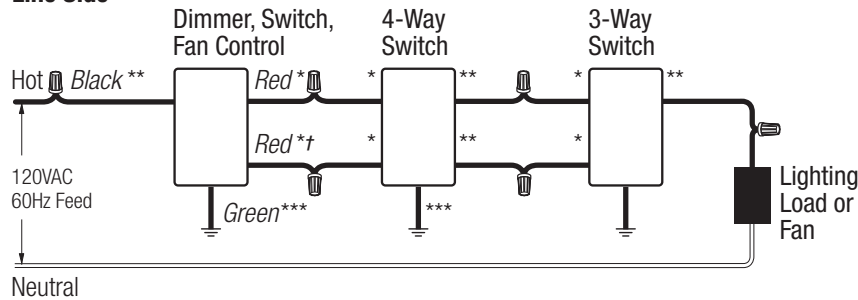


- * or Brass/Gold screw terminal
- ** or Copper/Black screw terminal
- *** or Green screw terminal
- † or Red/White stripe

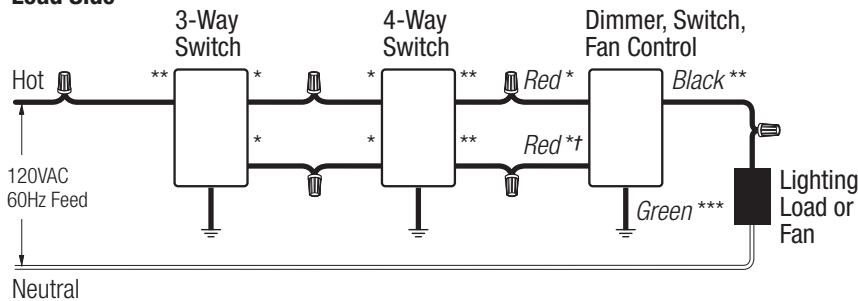
Wiring Diagram #7

4-way wiring

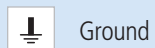
Control Line Side



Control Load Side



- * or Copper/Black screw terminal
- ** or Brass/Gold screw terminal
- *** or Green screw terminal
- † or Red/White stripe



Ground



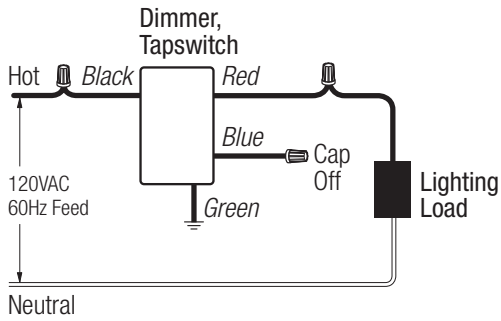
Wire Connector

Mounting hardware, wire connectors, and instructions included with all products.

Wiring Diagrams

Wiring Diagram #8

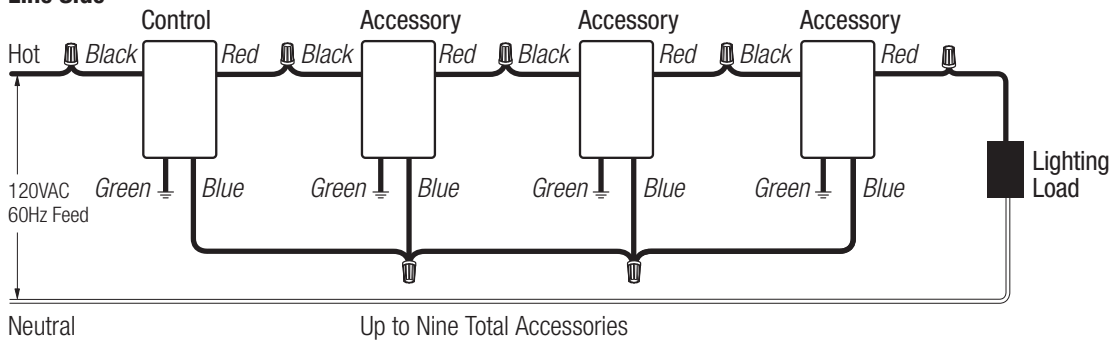
Single-location wiring of multi-location control



Wiring Diagram #9

Line side multi-location wiring

Control Line Side

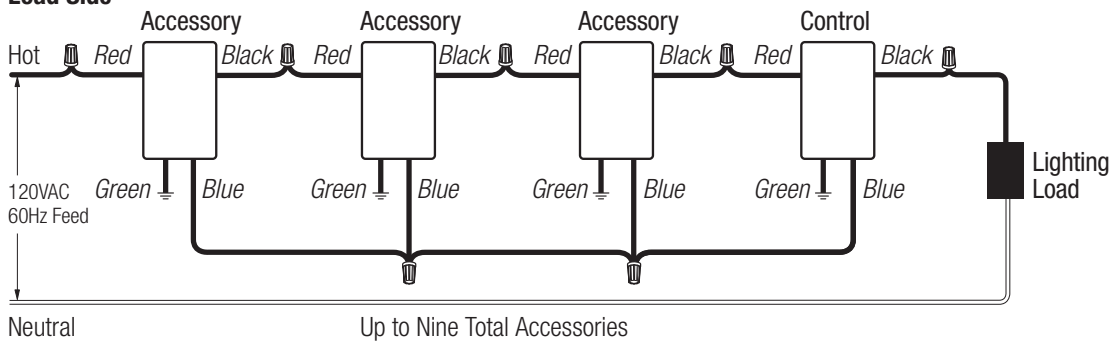


Control: Dimmer, Smart Dimmer, Tapswitch
Accessory: Accessory Dimmer, Auxiliary Tapswitch

Wiring Diagram #10

Load side multi-location wiring

Control Load Side



Control: Dimmer, Smart Dimmer, Tapswitch
Accessory: Accessory Dimmer, Auxiliary Tapswitch



Ground



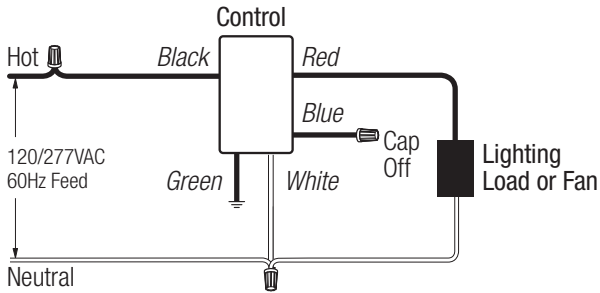
Wire Connector

Mounting hardware, wire connectors, and instructions included with all products.

Wiring Diagrams

Wiring Diagram #11

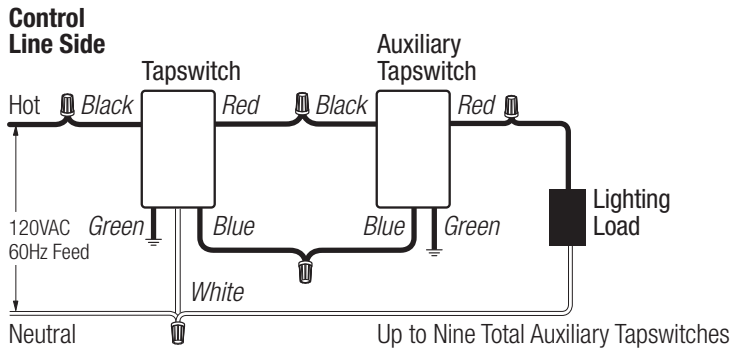
Single-pole wiring of multi-location control with neutral wire connection



Control: Dimmer, Smart Dimmer, Electronic Switch, Tapswitch

Wiring Diagram #12

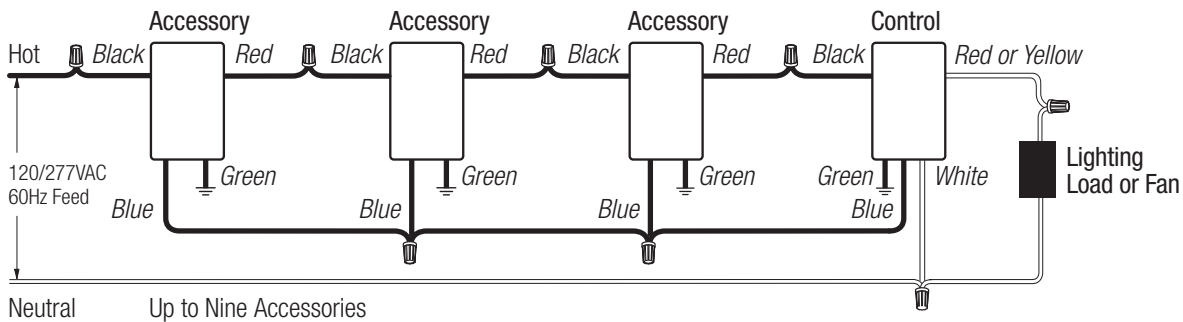
Line side multi-location wiring with neutral wire connection



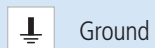
Wiring Diagram #13

Multi-location switch wiring with neutral wire connection

Control Load Side



Control: Dimmer, Smart Dimmer, Electronic Switch, Tapswitch
Accessory: Accessory Dimmer, Accessory Switch, Auxiliary Tapswitch



Ground



Wire Connector

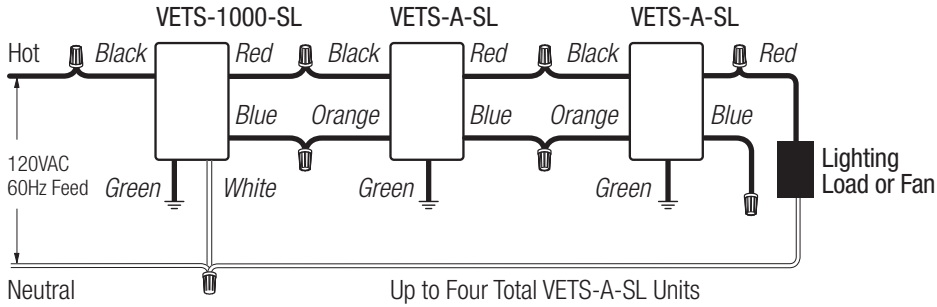
Mounting hardware, wire connectors, and instructions included with all products.

Wiring Diagrams

Wiring Diagram #14

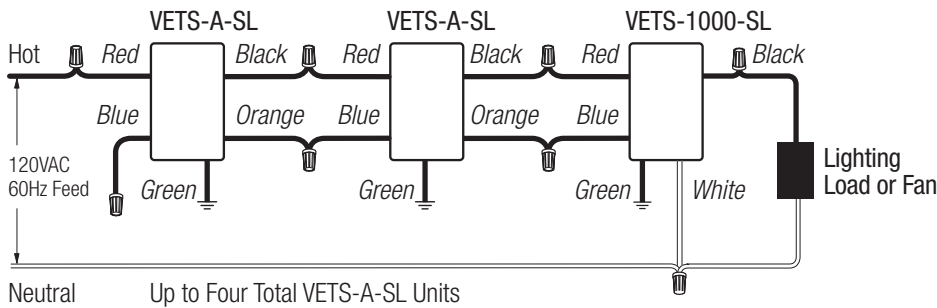
Vareo® switch wiring with neutral wire connection

Control Line Side



Control Load Side

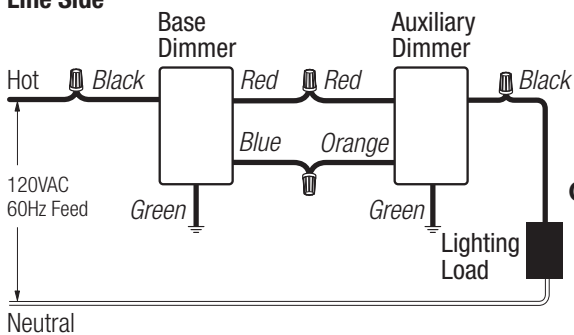
OR



Wiring Diagram #15

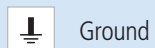
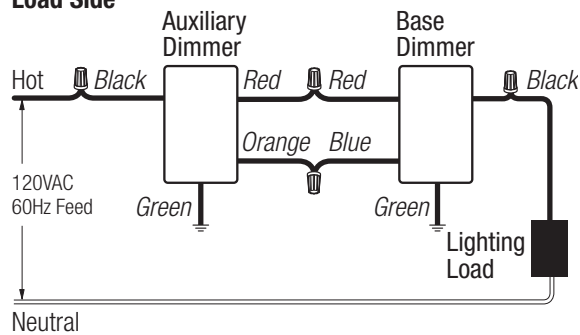
Omnislide™ wiring

Base Control Line Side



OR

Base Control Load Side



Ground



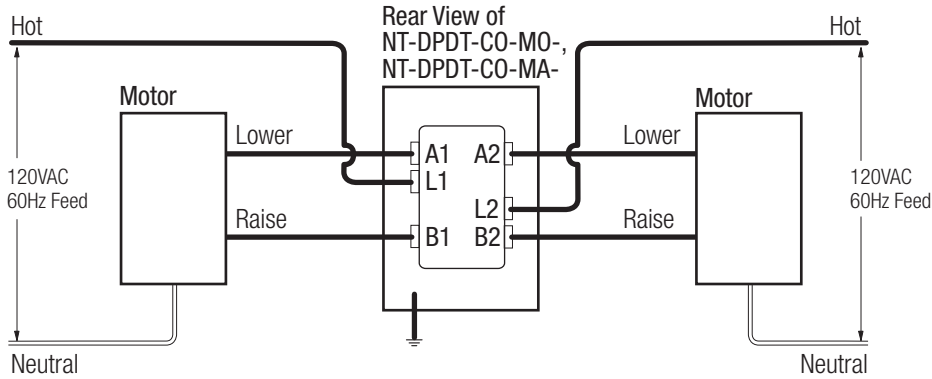
Wire Connector

Mounting hardware, wire connectors, and instructions included with all products.

Wiring Diagrams

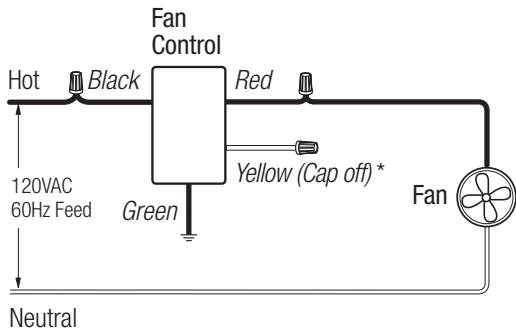
Wiring Diagram #16

AC motor wiring of double-pole, double-throw switch



Wiring Diagram #17

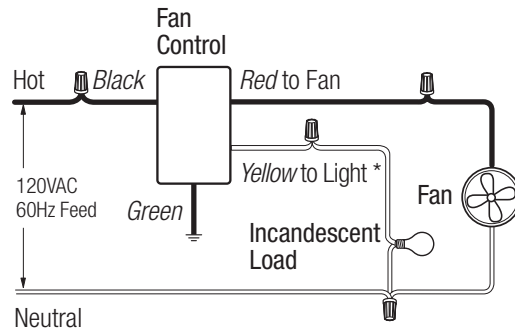
Single-pole wiring, fan only



* Switched full voltage only

Wiring Diagram #18

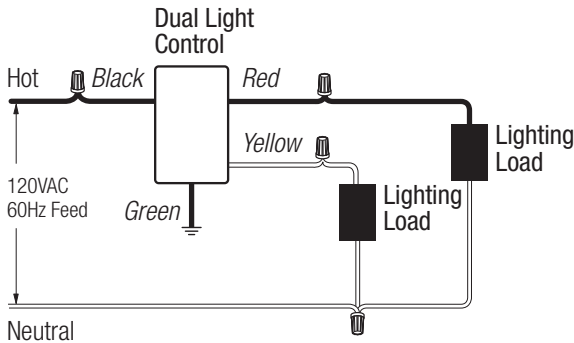
Single-pole wiring, fan and light



* Switched full voltage only

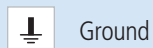
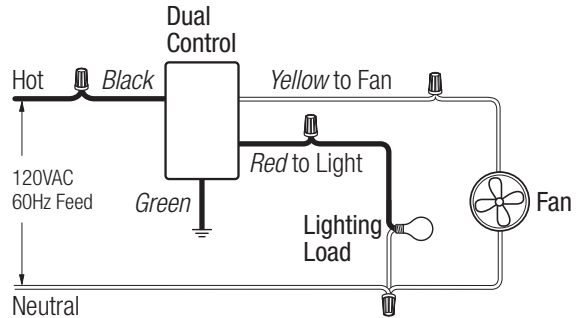
Wiring Diagram #19

Single-pole wiring, dual light control



Wiring Diagram #20

Single-pole wiring, dual fan/light control



Ground



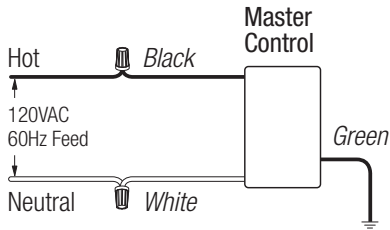
Wire Connector

Mounting hardware, wire connectors, and instructions included with all products.

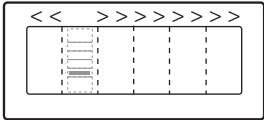
Wiring Diagrams

Wiring Diagram #21

Wall-mounted master control wiring



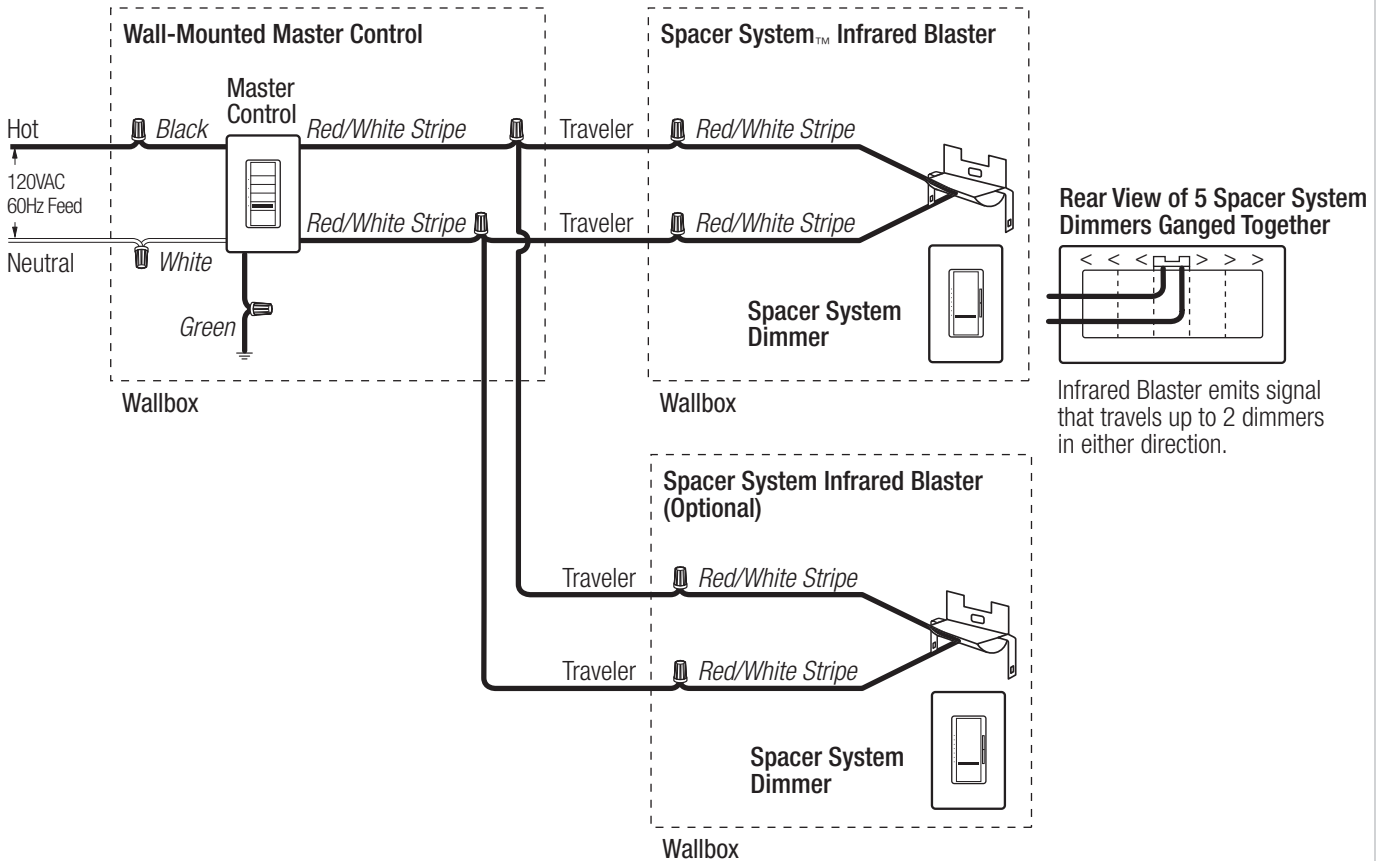
Rear View of Spacer System Dimmers and SPS-5WC- Ganged Together



SPS-5WC- emits signal that travels up to 4 dimmers in either direction.

Wiring Diagram #22

Remote-mounted master control wiring with infrared blaster



Ground



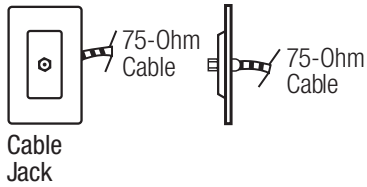
Wire Connector

Mounting hardware, wire connectors, and instructions included with all products.

Wiring Diagrams

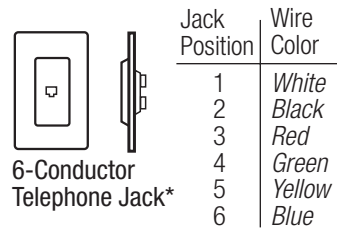
Wiring Diagram #23

Cable jack wiring



Wiring Diagram #24

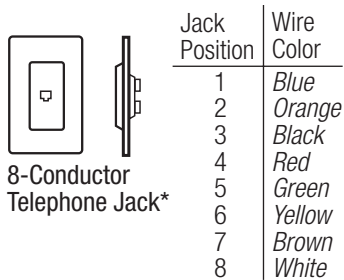
Telephone jack wiring, 6-conductor



*accepts most 4-conductor jacks

Wiring Diagram #25

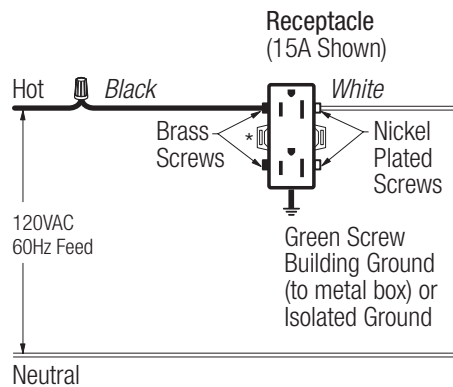
Telephone jack wiring, 8-conductor



*accepts most 4- or 6-conductor jacks

Wiring Diagram #26

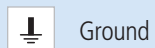
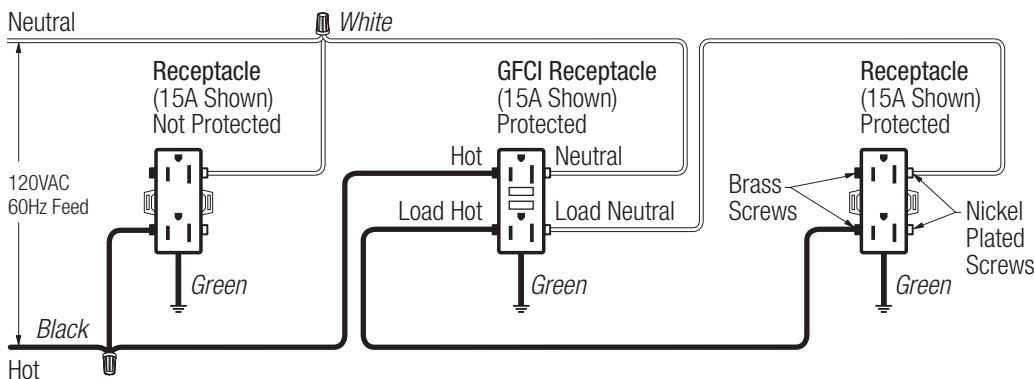
Receptacle wiring



* for split circuit wiring, break off tab on brass side only

Wiring Diagram #27

GFCI receptacle wiring

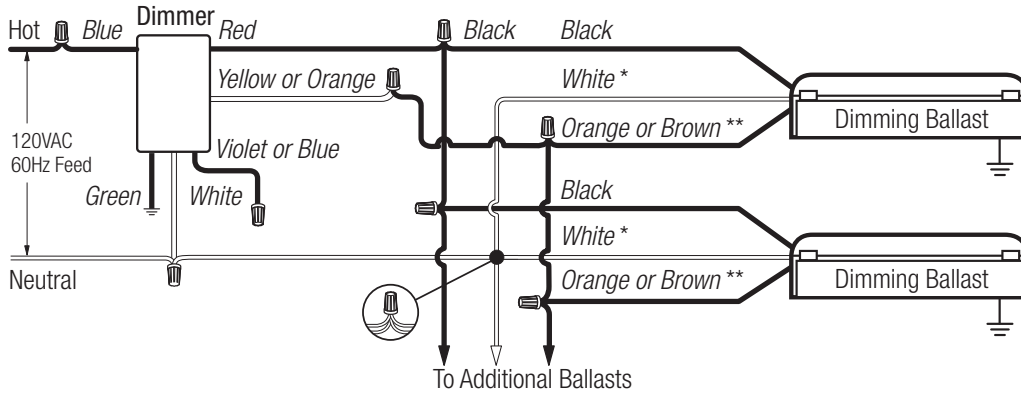


Mounting hardware, wire connectors, and instructions included with all products.

Wiring Diagrams

Wiring Diagram #28

Single-pole wiring of 3-way, 3-wire fluorescent control

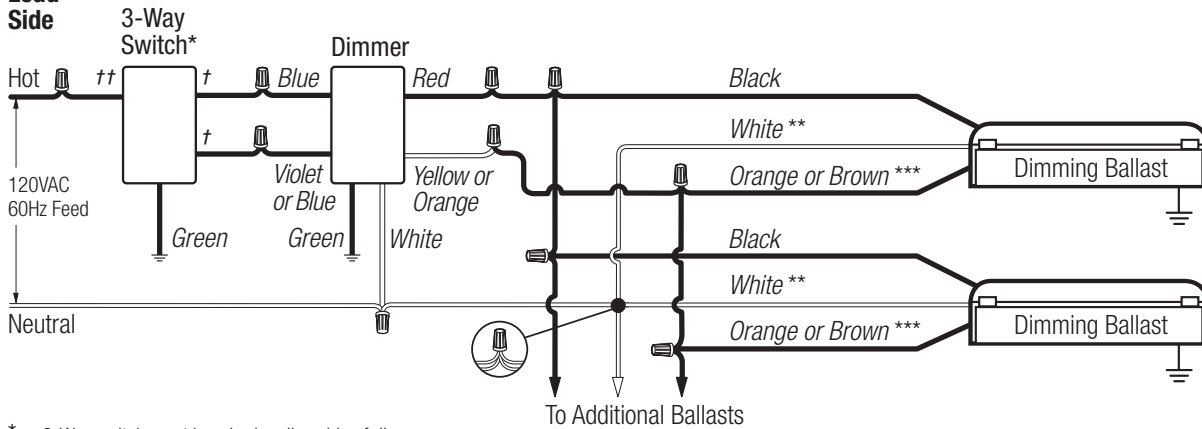


- * must use lamp disconnect sockets with magnetic dimming ballasts
- ** or Yellow/Blue or Yellow/Green when used with magnetic dimming ballasts

Wiring Diagram #29

3-way wiring of 3-wire fluorescent control

**Control
Load
Side**



- * 3-Way switch must be wired on line side of dimmer
- ** must use lamp disconnect sockets with magnetic dimming ballasts
- *** or Yellow/Blue or Yellow/Green when used with magnetic dimming ballasts
- † or Copper/Black screw terminal
- †† or Brass/Gold screw terminal



Ground



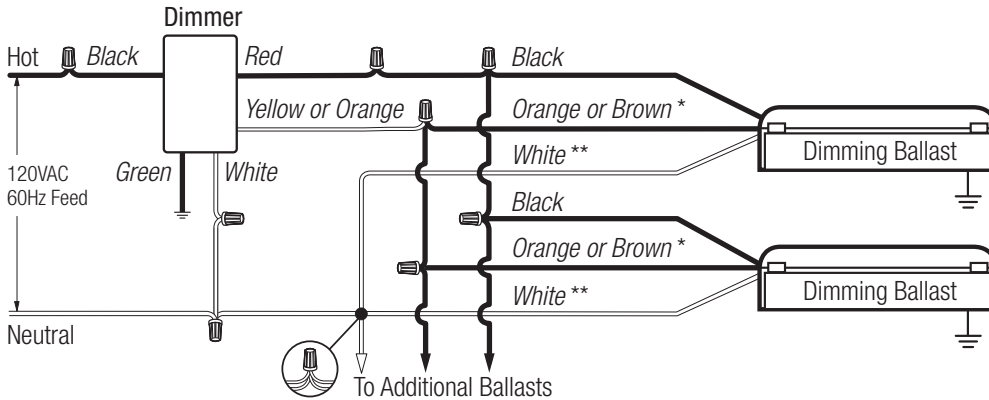
Wire Connector

Mounting hardware, wire connectors, and instructions included with all products.

Wiring Diagrams

Wiring Diagram #30

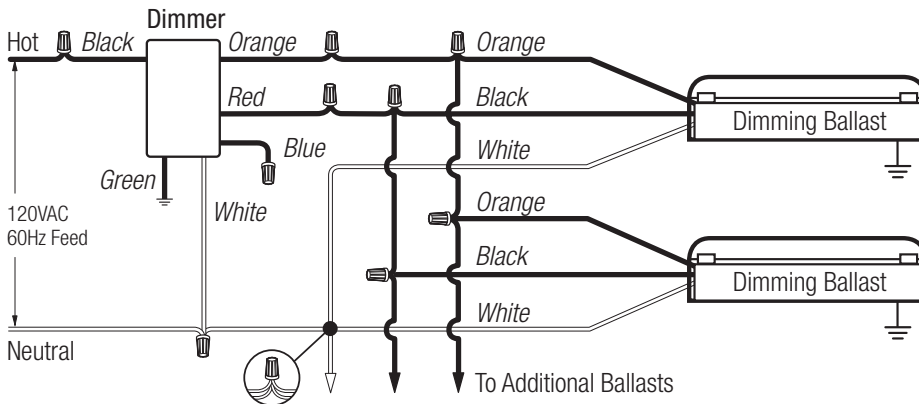
Single-pole wiring of 3-wire fluorescent control



- * or Yellow/Blue or Yellow/Green when used with magnetic dimming ballasts
- ** must use lamp disconnect sockets with magnetic dimming ballasts

Wiring Diagram #31

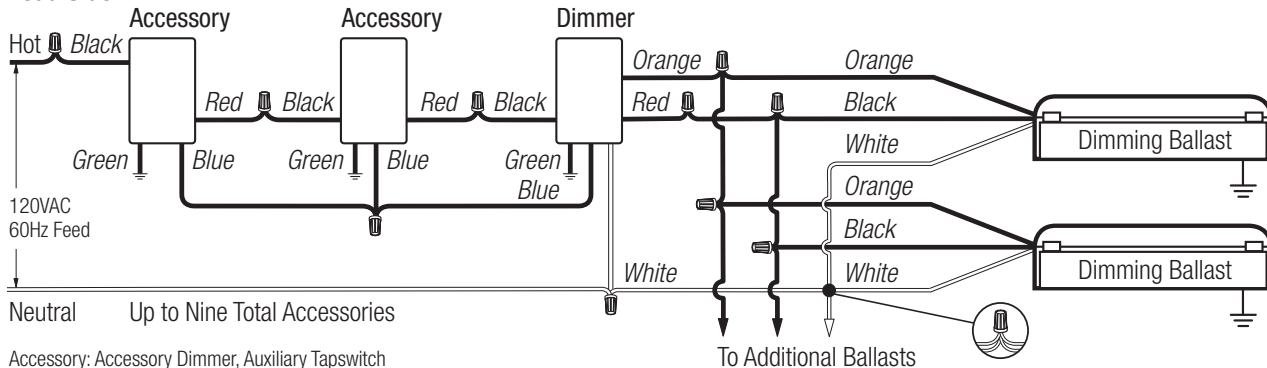
Single-pole wiring of multi-location 3-wire fluorescent control



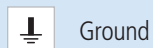
Wiring Diagram #32

Multi-location wiring of 3-wire fluorescent control

Control Load Side



Accessory: Accessory Dimmer, Auxiliary Tapswitch



Ground



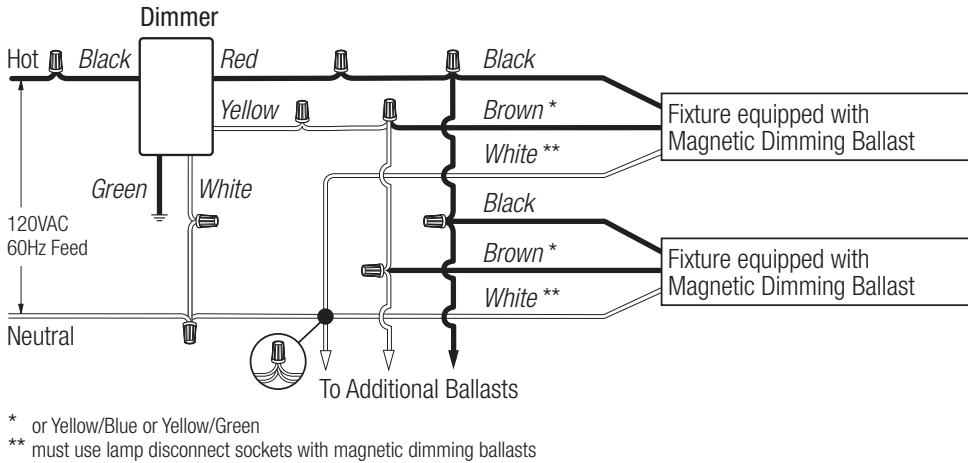
Wire Connector

Mounting hardware, wire connectors, and instructions included with all products.

Wiring Diagrams

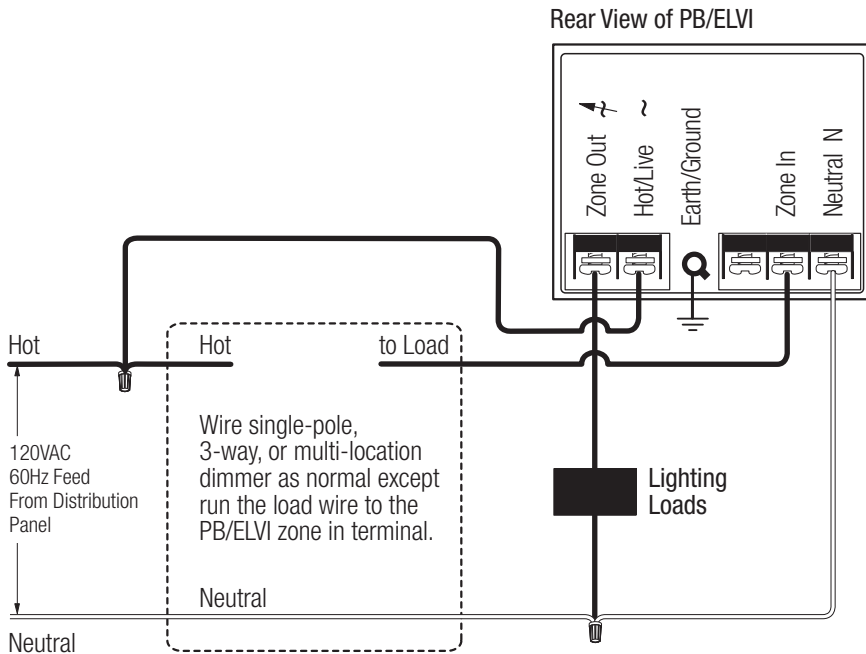
Wiring Diagram #33

Single-pole wiring of magnetic dimming ballast control
 For more information about products that control magnetic dimming ballasts contact Lutron Customer Service.



Wiring Diagram #34

Power Booster (PB) and Electronic Low-Voltage Interface (ELVI) wiring



Ground

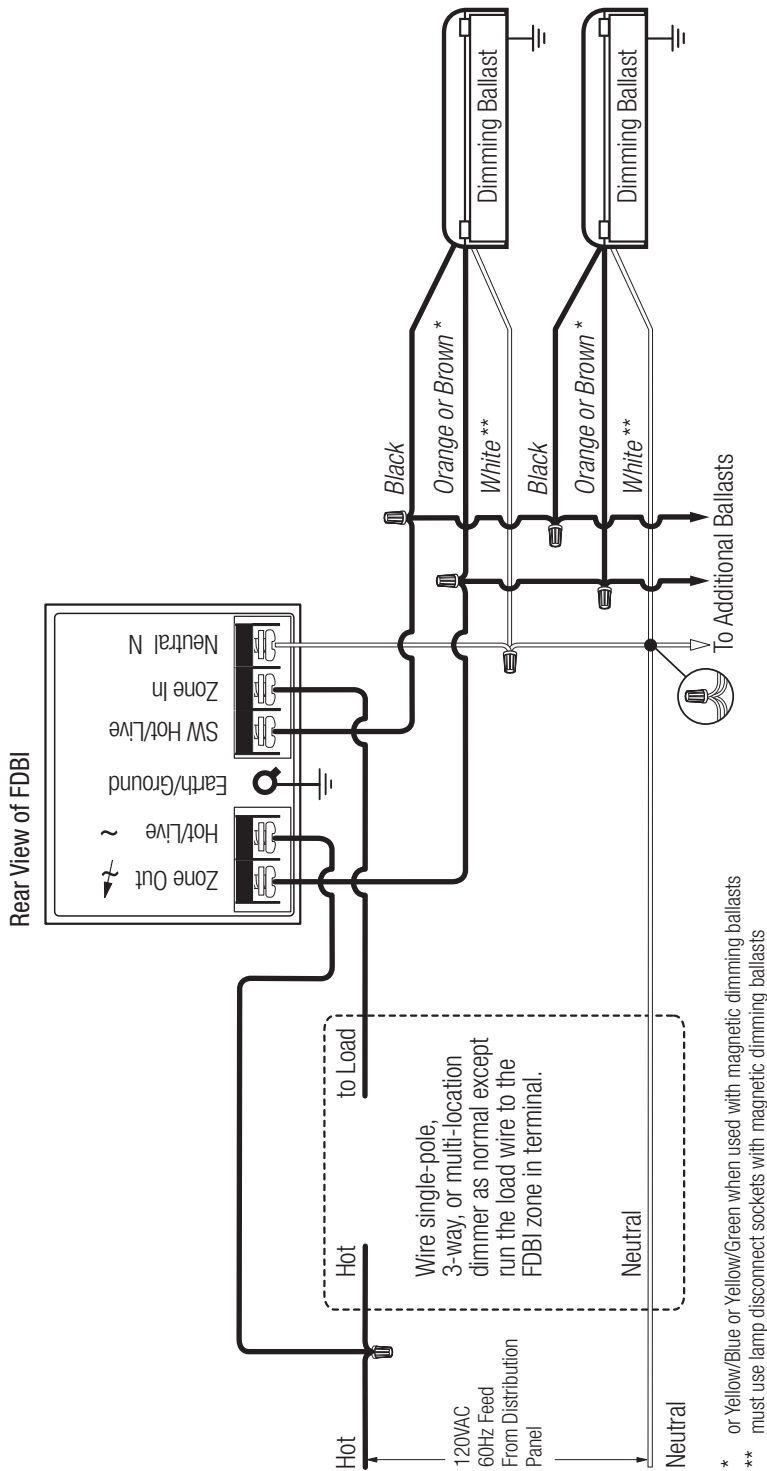
Wire Connector


Mounting hardware, wire connectors, and instructions included with all products.

Wiring Diagrams

Wiring Diagram #35

Fluorescent Dimming Ballast Interface (FDBI) interface wiring



 Ground

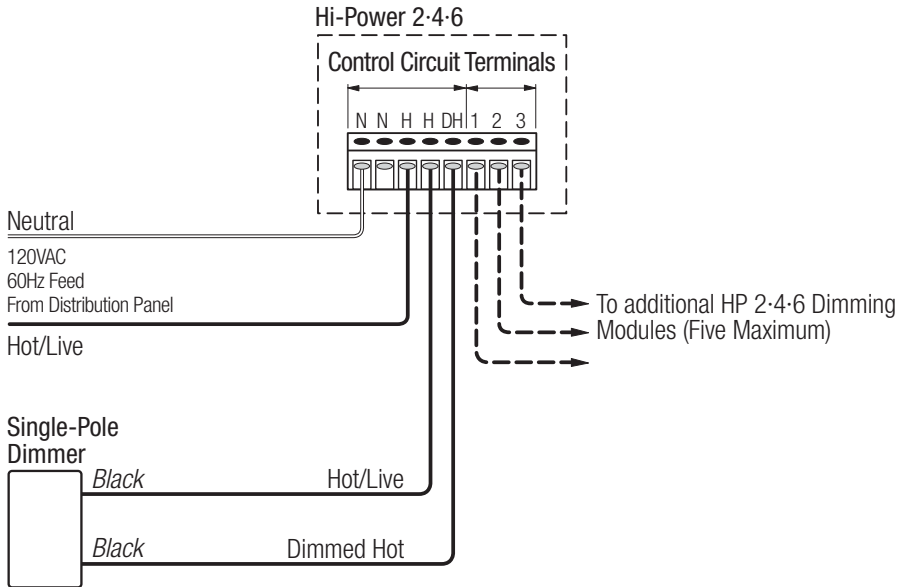
 Wire Connector

Mounting hardware, wire connectors, and instructions included with all products.

Wiring Diagrams

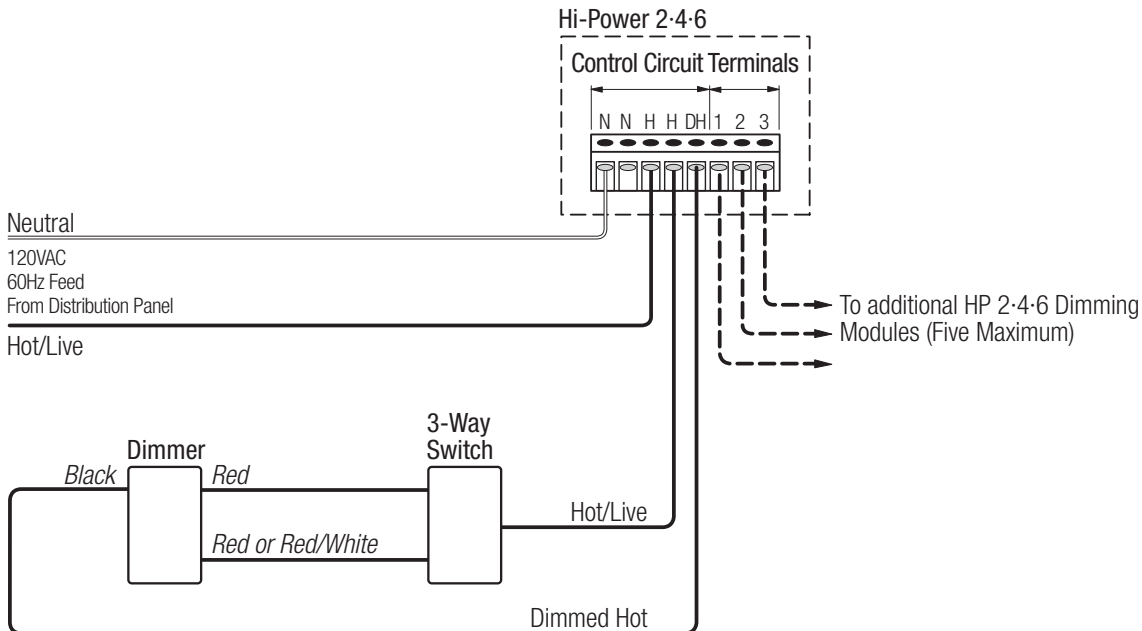
Wiring Diagram #36

Single-pole wiring to a Hi-Power 2·4·6™ dimming module



Wiring Diagram #37

3-way wiring to a Hi-Power 2·4·6™ dimming module



Ground



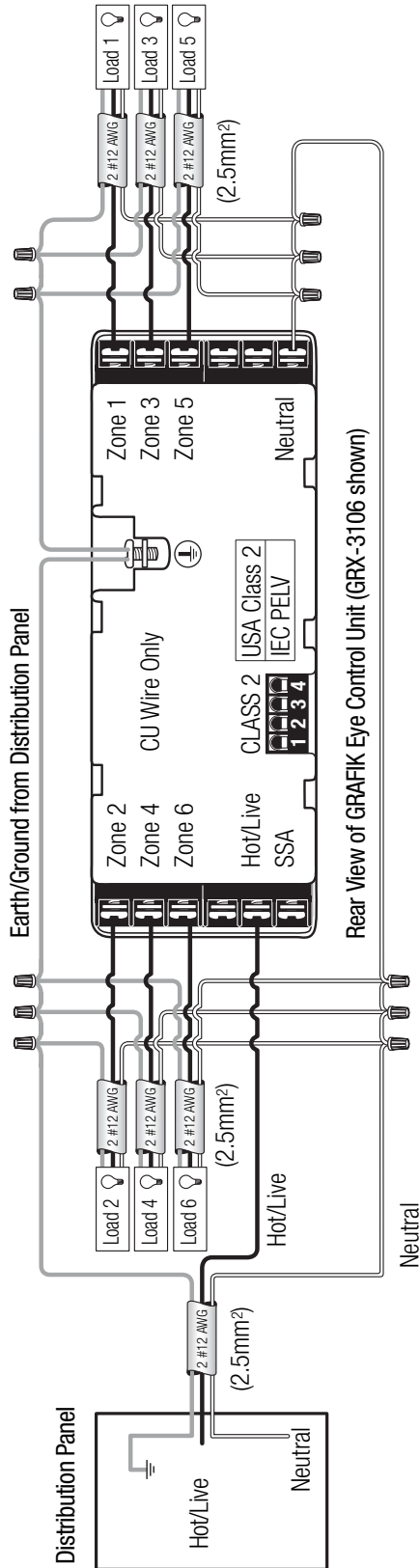
Wire Connector

Mounting hardware, wire connectors, and instructions included with all products.

Wiring Diagrams

Wiring Diagram #38

GRAFIK Eye® 3000 Series control unit
power and load wiring



Note:

1. Each line voltage terminal can accept up to two #12 AWG (2.5mm²) wires.
2. Each Class 2/PELV terminal can accept up to two #18 AWG (1.0mm²) wires.
3. For non-dim relay wiring, see GRAFIK SYSTEMS Technical Reference Guide, P/N 360-925
4. For load-side emergency transfer wiring, see GRAFIK SYSTEMS Technical Reference Guide, P/N 360-925
5. Input wiring for Lutron Tu-Wire® ballasts is the same as wiring shown above for loads 1-6.



Ground



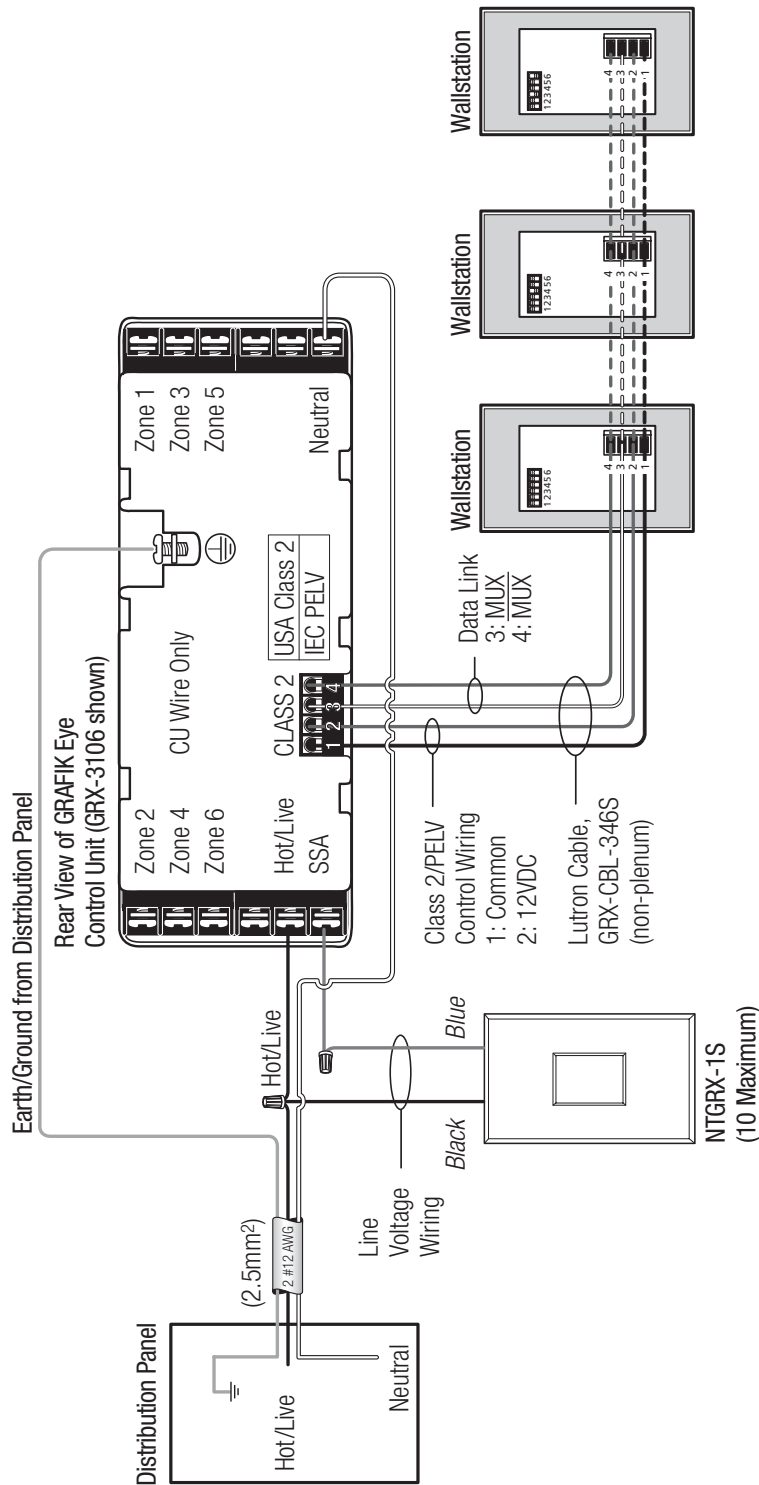
Wire Connector

Mounting hardware, wire connectors,
and instructions included with all products.

Wiring Diagrams

Wiring Diagram #39

GRAFIK Eye® 3000 Series control unit
to wallstation wiring



Note:

1. For other possible NTGRX-1S wiring configurations, see GRAFIK Eye Application Notes available at www.lutron.com.
2. The NTGRX-1S is for use with 3-, 4-, and 6-zone control units only.
3. Each control unit can power up to three Class 2/PELV wallstations/control interfaces. If more than three need to be connected to one control unit, install an external 12VDC power supply as shown in Wiring Diagram #43.
4. Class 2/PELV non-plenum cable is available from Lutron, order GRX-CBL-346S-500 (non-plenum rated cable) or GRX-PCBL-346S-500 (plenum-rated cable).



Ground



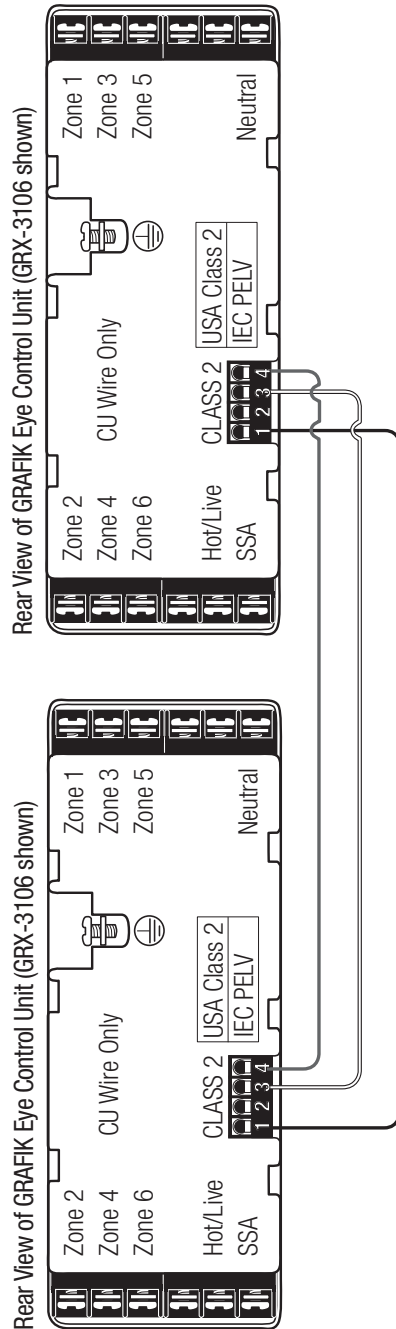
Wire Connector

Mounting hardware, wire connectors,
and instructions included with all products.

Wiring Diagrams

Wiring Diagram #40

GRAFIK Eye® 3000 Series control unit to control unit wiring

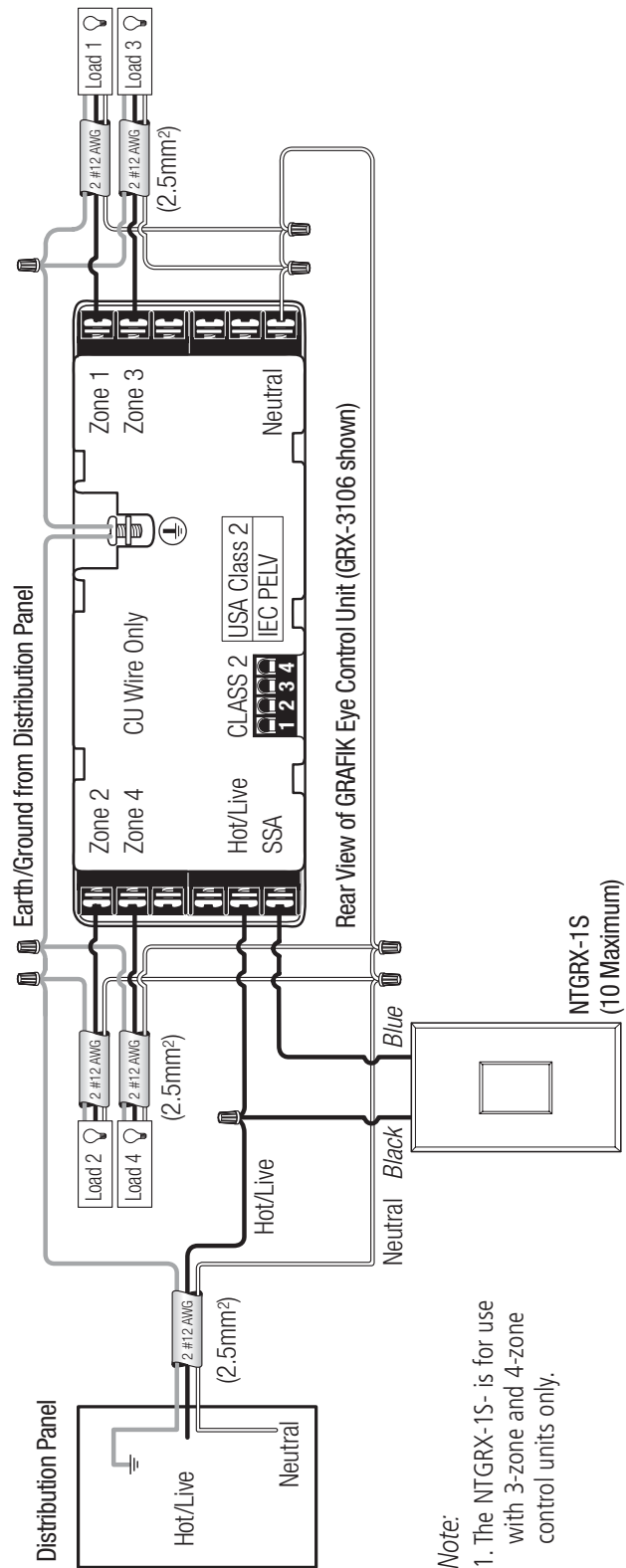


Note:

1. Each control unit has its own power supply.
2. Do not connect terminal No. 2 when wiring between GRAFIK Eye 3000 Series control units.
3. Class 2/PELV cable is available from Lutron, order GRX-CBL-346S-500 (non-plenum rated cable) or GRX-PCBL-346S-500 (plenum-rated cable).

Wiring Diagram #41

GRAFIK Eye 2000 Series control unit wiring and NTGRX-1S- wallstation wiring



Note:

1. The NTGRX-1S- is for use with 3-zone and 4-zone control units only.



Ground



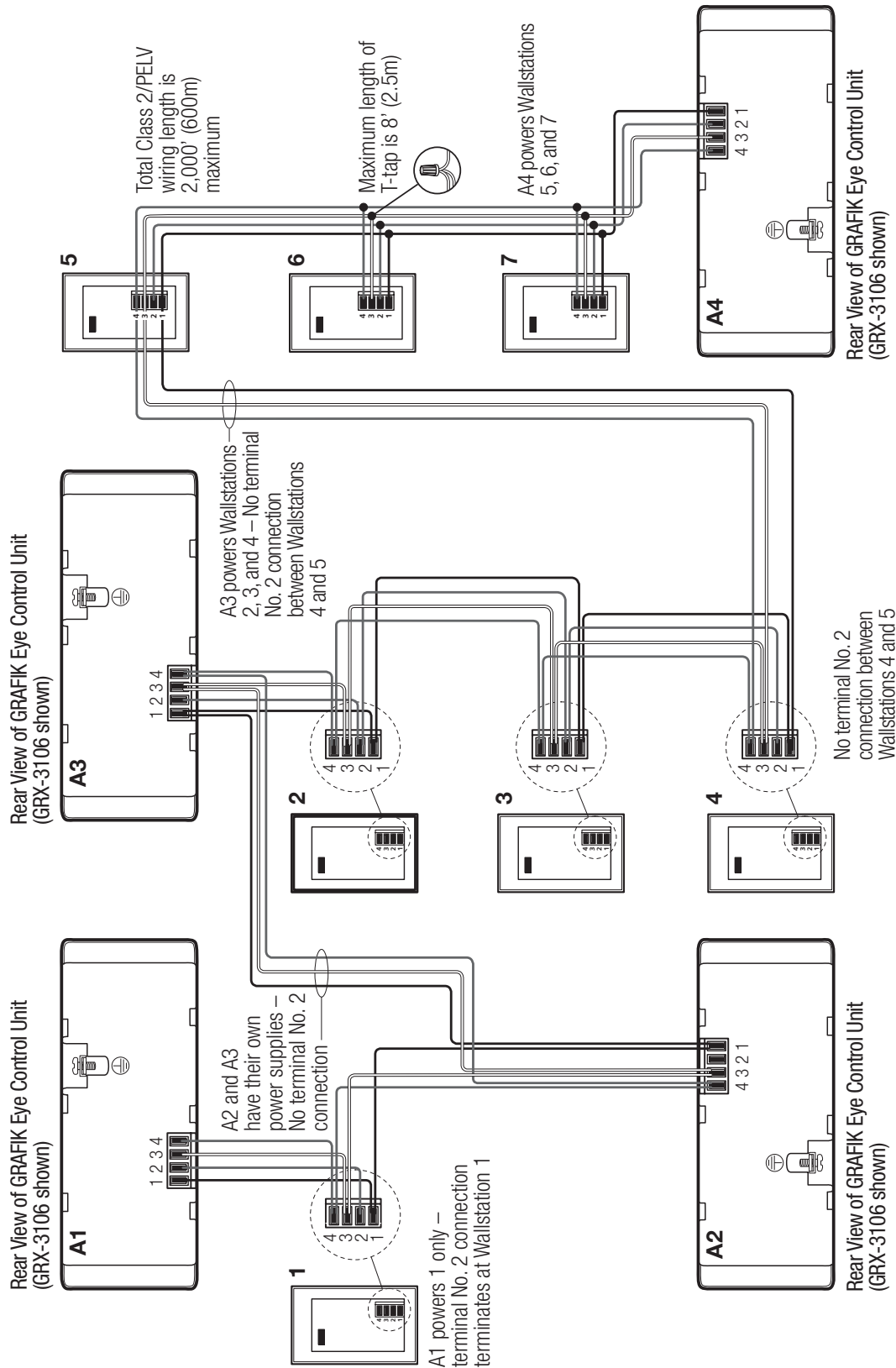
Wire Connector

Mounting hardware, wire connectors, and instructions included with all products.

Wiring Diagrams

Wiring Diagram #42

GRAFIK Eye® 3000 Series system wiring



Note:

1. Each control unit can power up to three Class 2/PELV wallstations/control interfaces. If more than three need to be connected to one control unit, install an external 12VDC power supply as shown in Diagram #44.
2. Do not connect terminal No. 2 between GRAFIK Eye 3000 Series control unit and GRX-12VDC power supply.
3. Up to eight GRAFIK Eye 3000 Series control units and 16 wallstations/control interfaces can be daisy chained together in one system.
4. Class 2/PELV non-plenum cable is available from Lutron, order GRX-CBL-346S-500 (non-plenum rated cable) or GRX-PCBL-346S-500 (plenum-rated cable).



Ground



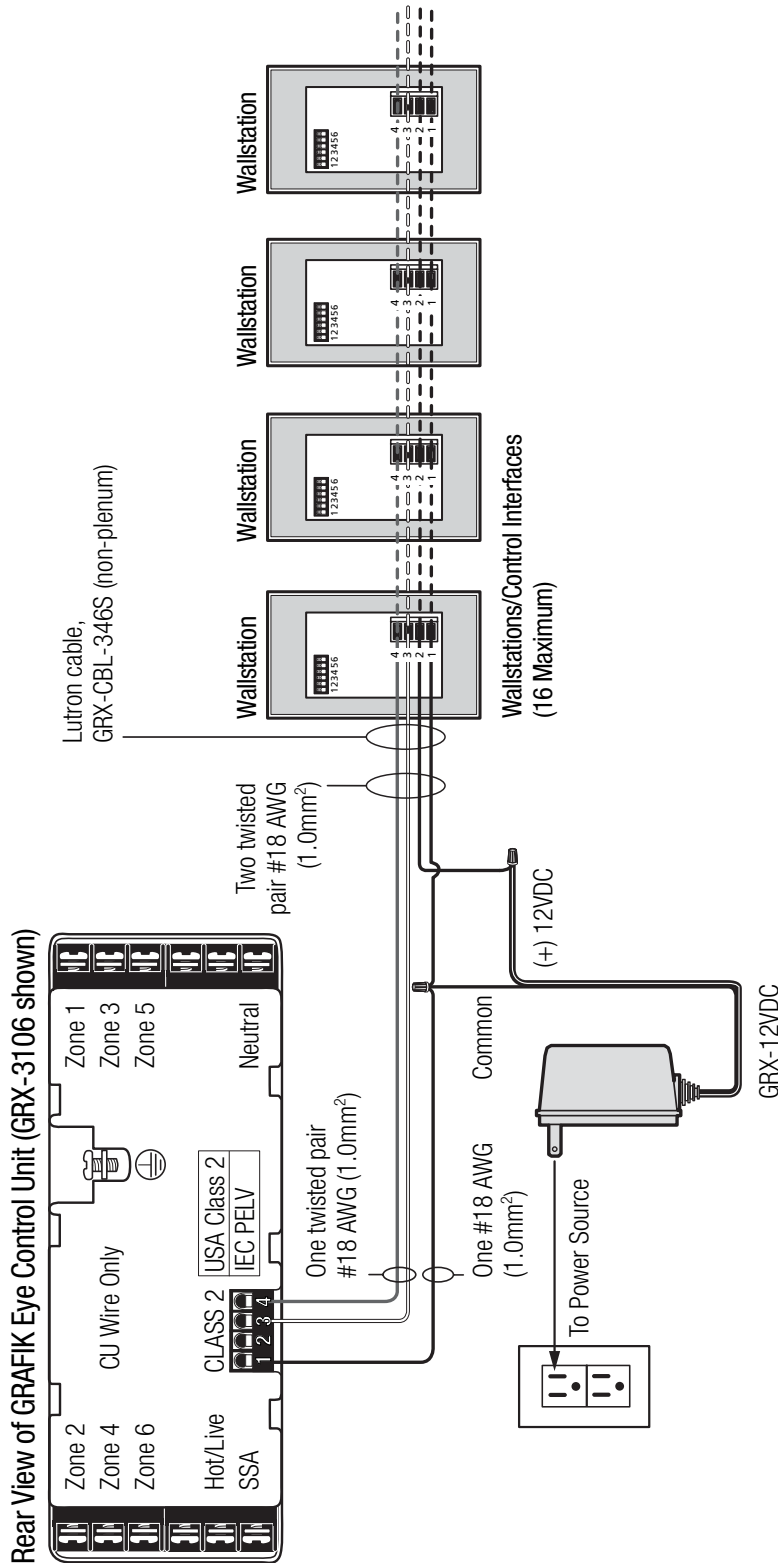
Wire Connector

Mounting hardware, wire connectors, and instructions included with all products.

Wiring Diagrams

Wiring Diagram #43

GRAFIK Eye® 3000 Series
GRX-12VDC power-supply wiring



Note:

1. Do not connect terminal No. 2 between GRAFIK Eye 3000 Series control unit and GRX-12VDC power supply.
2. Class 2/PELV non-plenum cable is available from Lutron, order GRX-CBL-346S-500 (non-plenum rated cable) or GRX-PCBL-346S-500 (plenum-rated cable).



Ground



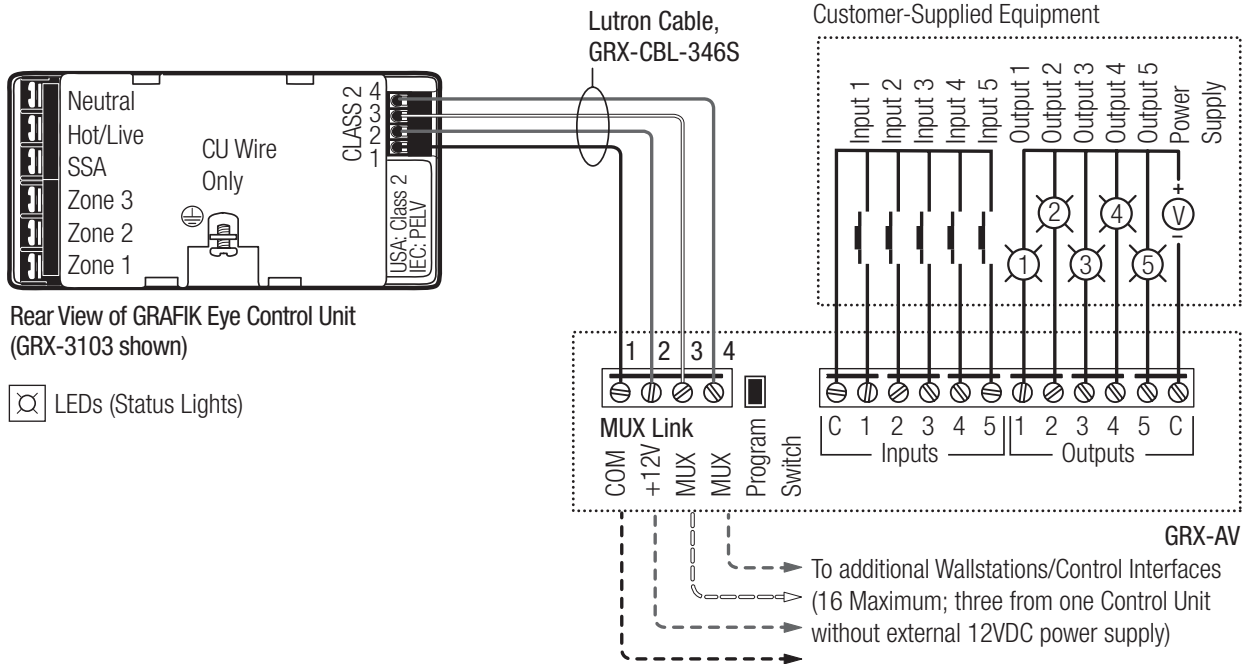
Wire Connector

Mounting hardware, wire connectors, and instructions included with all products.

Wiring Diagrams

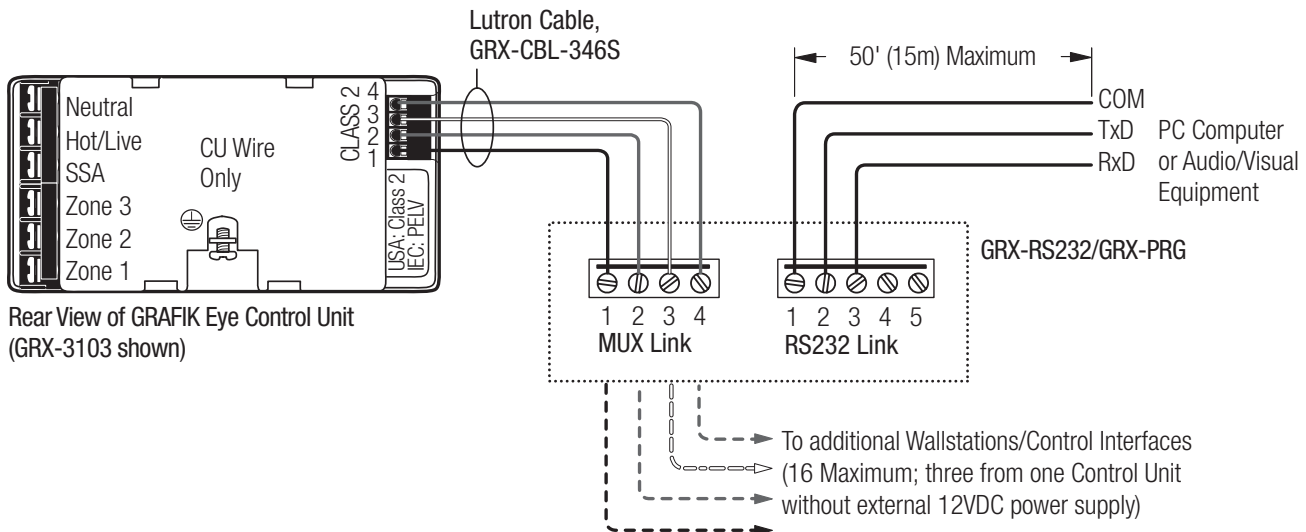
Wiring Diagram #44

GRAFIK Eye® 3000 Series
GRX-AV control interface wiring



Wiring Diagram #45

GRAFIK Eye 3000 Series
GRX-RS232 control interface wiring



Ground

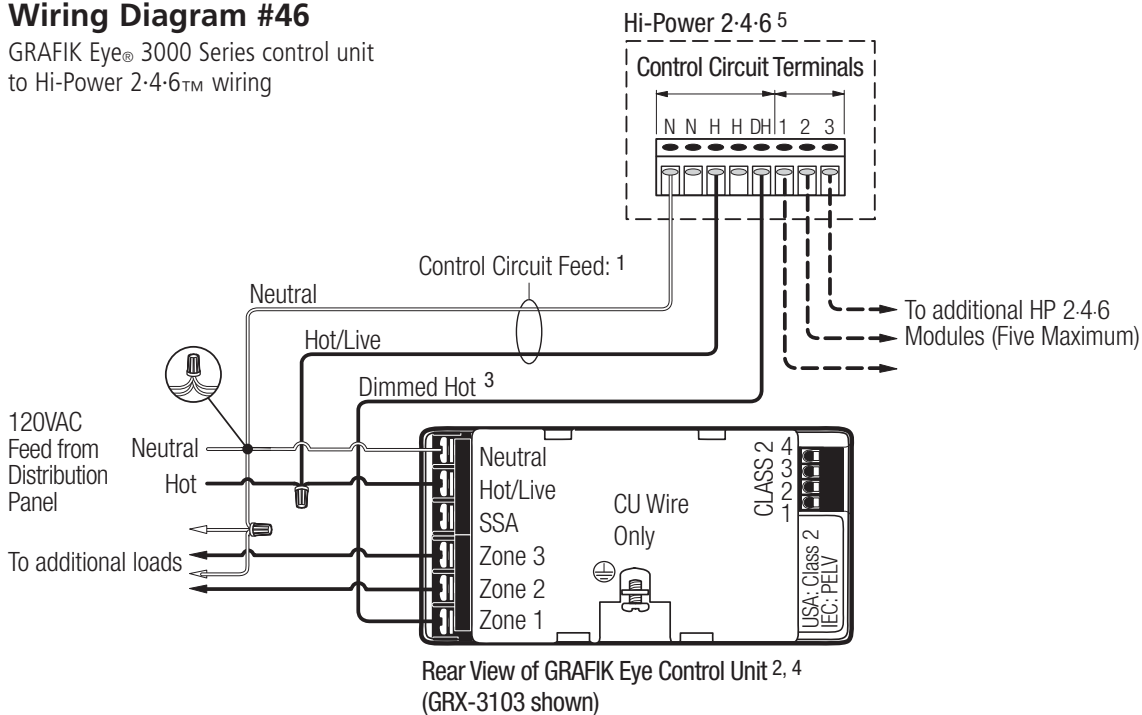
Wire Connector

Mounting hardware, wire connectors, and instructions included with all products.

Wiring Diagrams

Wiring Diagram #46

GRAFIK Eye® 3000 Series control unit
to Hi-Power 2-4-6™ wiring



Note:

1. Control circuit feed is shown coming from the GRAFIK Eye control unit feed. The load on the dimmer for each Hi-Power 2-4-6 module connected is 20W/VA. Hi-Power 2-4-6 has a special active load which will meet the minimum load requirements for any Lutron dimmer. If the circuit does not have sufficient capacity to support the load of the module(s), the Hi-Power 2-4-6 control circuit feed can be supplied from any 120VAC circuit with sufficient capacity as long as it is on the same phase as the GRAFIK Eye control unit. Do not use Hi-Power 2-4-6 with generator-supplied power.
2. Load type should be set as incandescent on the GRAFIK Eye control unit.
3. Dimmed hot is shown connected to Zone 1 in the diagram, but can be connected to any zone on the control unit.
4. For GRAFIK Eye 3000 Series control units, refer to GRAFIK Eye 3000 Instruction Sheet (P/N 032-083) for the remainder of control unit wiring.
5. Refer to Hi-Power 2-4-6 Instruction Sheet (P/N 030-452) for the remainder of Hi-Power 2-4-6 wiring.



Ground



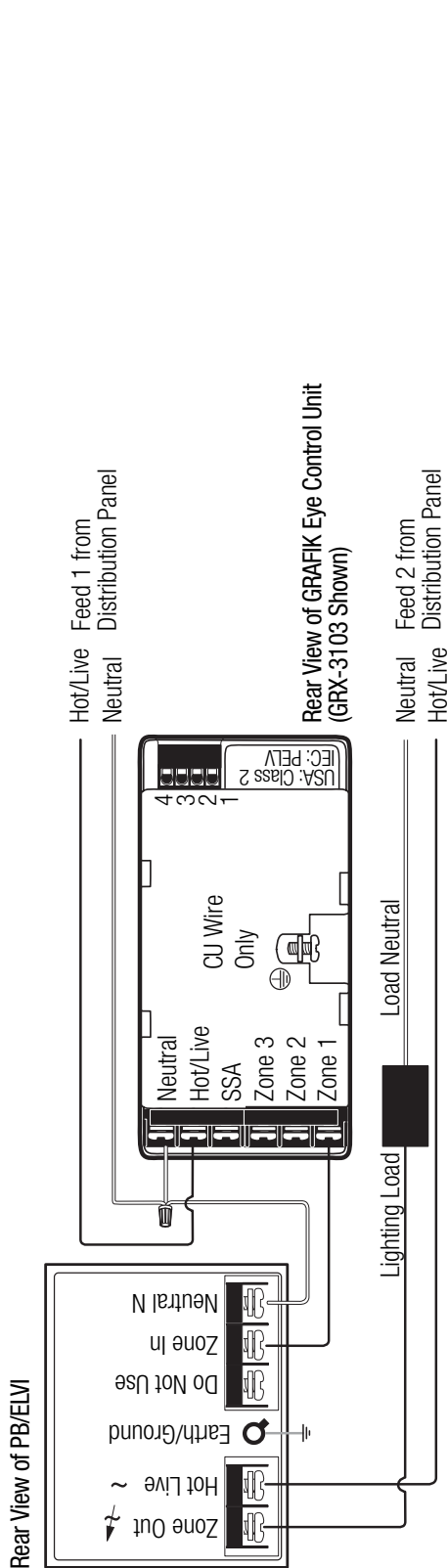
Wire Connector

Mounting hardware, wire connectors, and instructions included with all products.

Wiring Diagrams

Wiring Diagram #47

GRAFIK Eye® 3000 Series control unit to PB/ELVI power booster/interface wiring

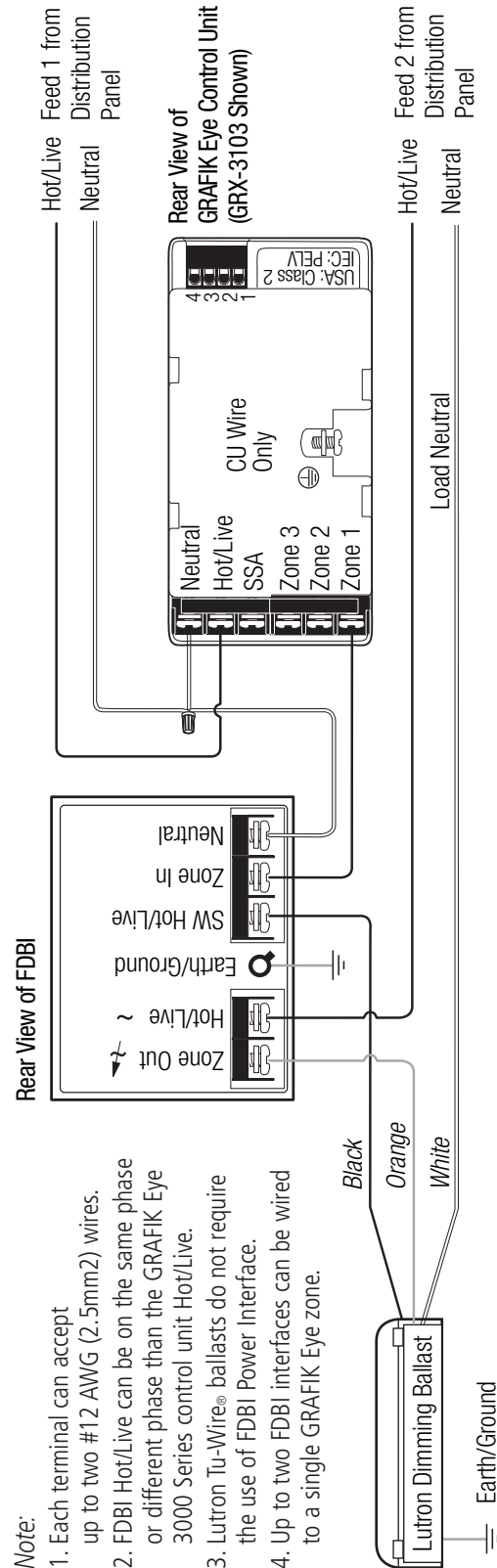


Note:

1. Each terminal can accept up to two #12AWG (2.5mm²) wires.
2. PB/ELVI Hot/Live can be on the same phase or different phase than the GRAFIK Eye 3000 Series control unit Hot/Live.
3. Up to two PB/ELVI interfaces can be wired to a single GRAFIK Eye zone.

Wiring Diagram #48

GRAFIK Eye 3000 Series control unit to FDBI power interface wiring



Note:

1. Each terminal can accept up to two #12 AWG (2.5mm²) wires.
2. FDBI Hot/Live can be on the same phase or different phase than the GRAFIK Eye 3000 Series control unit Hot/Live.
3. Lutron Tu-Wire® ballasts do not require the use of FDBI Power Interface.
4. Up to two FDBI interfaces can be wired to a single GRAFIK Eye zone.

Mounting hardware, wire connectors, and instructions included with all products.

Wire Connector



Ground

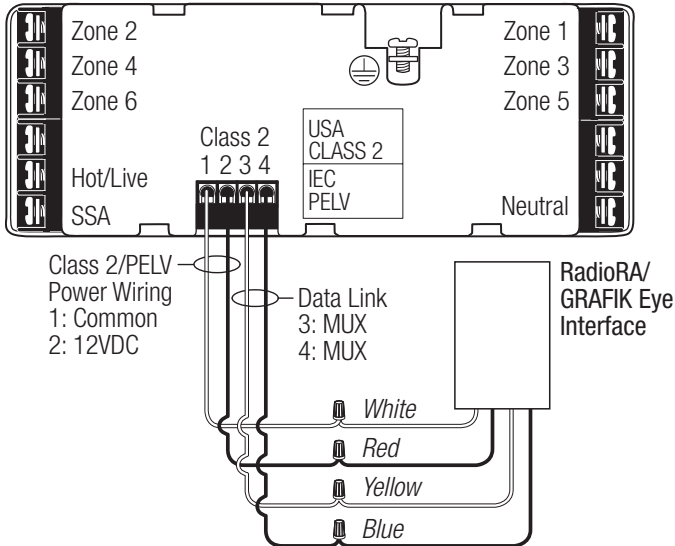


Wiring Diagrams

Wiring Diagram #49

RadioRA®/GRAFIK Eye® interface wiring
RA-GRXI with GRX-3106 (typical)

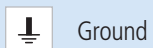
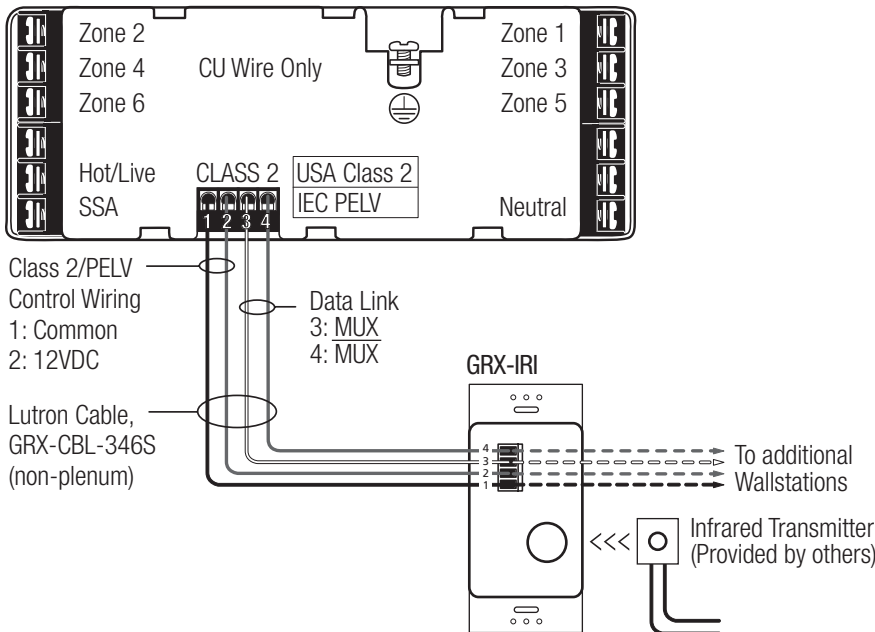
GRX-3106



Wiring Diagram #50

GRAFIK Eye 3000 Series control unit
to GRX-IRI infrared interface

Rear View of GRAFIK Eye
Control Unit (GRX-3500 shown)



Ground



Wire Connector

Mounting hardware, wire connectors,
and instructions included with all products.