




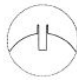


## ORDER FORM / SUBMITTAL SHEET

**SUBMITTED PART NUMBER**

**QUANTITY**

**JOB NAME**

FASS Rack conduit support systems are available in a "Build-A-FASS Rack" option for all 4" or smaller conduit types, PVC, EMT, IMC, or RIGID. **Build-A-Rack FASS Rack options function independently in individual sections or in any sectional combinations below up to 54" in total length.**

OPTION A	OPTION B	OPTION C
Not to scale	Not to scale	Not to scale
		
<p>18" Length, 6" Height <b>Provides 14, 1" or smaller conduit ports</b></p>	<p>18" Length, 6" Height <b>Provides 4, 2" or smaller conduit ports</b></p>	<p>18" Length, 6" Height <b>Provides 2, 4" or smaller conduit ports</b></p>
<p>Optional Anti-Vibration Tab available for conduit ports <span style="float: right;">→ </span>            Multi-sections may be divided, at jobsite, by cutting along cut indicators every 18"            Suitable for max. 3.05m (10 ft.) support interval.            Intended conduit mounting orientation is horizontal.            Assemblies are to be installed in accordance with the NEC®</p>		  <p style="font-size: small; text-align: center;">Conduit and Cable Hardware    Buy American / ARRA Compliant E473231</p>

**Build Your Part Number Here (See example below)**

WPS	FASS				
<b>Numbering System (Example Only)</b>					
WPS	FASS	14-1/	2-4/	4-2/	AV
Std. Prefix	Type	Section 1	Section 2	Section 3	Anti-Vibration
Womack Pre-Fab Solutions	Fast Accurate Support System	Option A 14-1 Option B 4-2 Option C 2-4	Option A 14-1 Option B 4-2 Option C 2-4	Option A 14-1 Option B 4-2 Option C 2-4	AV Option