

FASS RACK

*FAST ACCURATE SUPPORT SYSTEM
FOR PVC, EMT, IMC, OR RIGID CONDUIT*



PRODUCT GUIDE &
SPECIFICATIONS

WOMACK

ELECTRIC SUPPLY



SAVE TIME, LABOR & MONEY ON YOUR NEXT COMMERCIAL PROJECT

The quick and easy to install FASS Rack conduit support systems help you eliminate unproductive time spent at your jobsites.

This allows you to spread out your manpower to additional projects and focus on what's truly important - getting the job done, on budget and on time.

focus on solutions **Commercial projects**

PRODUCTIVITY

Productivity is the key to success! Womack Electric Supply Company understands the many factors that erode profit margins - compressed time schedules, labor cost & issues, and others. We provide solutions designed to allow contractors to spread out their labor force to many projects or pursue additional work.

Womack Electric Supply solutions allow contractors to adapt, be proactive and pre-plan for their next project, adjusting to the job site issues that negatively affect both productivity and profitability.

Ask a Womack representative how their commercial project solutions can help you to power up your productivity and pocket the profits.



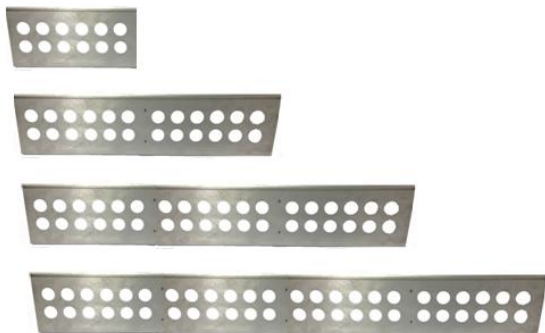
FASS RACK

FAST ACCURATE SUPPORT SYSTEMS

PVC, EMT, IMC OR RIGID CONDUIT APPLICATIONS

FASS RACK ASSEMBLY TYPES

FASS-3/4 RACK:



FASS Rack conduit support system for all 3/4" or smaller conduit types. PVC, EMT, IMC, or RIGID. Available options include 12" - 12 conduit ports; 24" - 24 conduit ports; 36" - 36 conduit ports; 48" - 48 conduit ports. All racks 6" Height. *

FASS RACK BUILD-A-RACK:



FASS Rack conduit support systems are available in a "Build-A-Rack" option for all 4" or smaller conduit types, PVC, EMT, IMC, or RIGID. Build-A-Rack FASS Rack options function independently in individual sections or in sectional combinations up to 54" in total length. Available sectional options include: Option A: 18" Length, 6" Height. Provides 14, 1" or smaller conduit ports; Option B: 18" Length, 6" Height. Provides 4, 2" or smaller conduit ports; Option C: 18" Length, 6" Height. Provides 2, 4" or smaller conduit ports. *

* Suitable for maximum 3.05m (10 ft.) support interval. Intended conduit mounting orientation is horizontal. FASS Rack conduit support systems can be divided by cutting along cut indicators on the support system. Assemblies are to be installed in accordance with the NEC®. Patent Pending.

Testimonials

See what contractors are saying ...

"On our first shipment we were able to install 2,160' of 1" EMT in just 16 man hours. That's just 840' shy from being a master bundle. That was two men - two days from delivery to walk away! We can only expect our installation speed rate to increase further as we become more familiar with FASS Racks. When we combined the time for the overhead FASS Racks, as well as the entire in-wall prefab assemblies, we removed close to 15,000 work hours from our jobsite."

Todd Edwards, Project Manager
Cooper Electric

"We used the FASS Rack conduit support system on our project. FASS Racks saved a lot of man hours and was easier to install versus the standard installation using Kindorf and straps."

Mike Delk, Field Supervisor
Watson Electrical



PATENT PENDING





SUBMITTED PART NUMBER

WPS - 3/4 - () - ()

QUANTITY

ORDER FORM / SUBMITTAL SHEET

JOB NAME

FASS - 3/4 conduit support systems are suitable for all 3/4" or smaller conduit types. PVC, EMT, IMC, or RIGID. Available in 12 port, 24 port, 36 port, or 48 port options.

12" FASS Rack

24" FASS Rack

36" FASS Rack

48" FASS Rack

All Racks 6" in Height. Not to Scale.

- * Optional Conduit Port Anti-Vibration Tab
- * Multi-sections dividable along cut indicators every 12"
- * Suitable for max. 3.05m (10 ft.) support interval.
- * Intended conduit mounting orientation is horizontal.
- * Assemblies are to be installed in accordance with the NEC®

PATENT PENDING

Conduit and Cable Hardware E473231 Buy American / ARRA Compliant

Build Your Part Number Here (Select Only One Hole Count Option - See Example Below)							
WPS -	FASS-	3/4 -					
Numbering System (WPS-FASS-3/4-24-AV Example Only)							
WPS -	FASS -	3/4 -		24			- AV
Std. Prefix	Type	Conduit Size	12 Hole Count Option A	24 Hole Count Option B	36 Hole Count Option C	48 Hole Count Option D	Optional Anti - Vibration
Ordering Prefix- Pre-Fab Solutions	Fast Accurate Support System	Maximum Conduit Size	Number Conduit Ports	Number Conduit Ports	Number Conduit Ports	Number Conduit Ports	Anti - Vibration

FASS-3/4 Rack Installation Instructions

1. When installing the FASS-3/4 conduit rack support system you should use 3/8" threaded rod, 3/8" x 3/4" flat washers, and 3/8" hex nuts to support the FASS-3/4 rack system. These items are sold separately and are not included with the FASS-24 rack system.

2. Each FASS-3/4 rack has to be supported every 24" or less. Install (1) piece of 3/8" threaded rod into the mounting hole located on the top mounting flange of the FASS-3/4 rack. The 3/8" threaded rod will need to penetrate the top mounting hole of the top mounting flange and extend down through the bottom hole (directly below the top flange) of the bottom mounting flange. As you install the 3/8" threaded rod you will need to install a 3/8" x 3/4" flat washer and a 3/8" hex nut on the topside of the top mounting flange and a 3/8" hex nut on the bottom-side of the top mounting flange. Then install a 3/8" hex nut on the topside of the bottom mounting flange, a 3/8" x 3/4" flat washer and 3/8" hex nut on the bottom side of the bottom mounting flange. That will be a total of (2) 3/8" x 3/4" flat washers and (4) 3/8" hex nuts per piece of 3/8" threaded rod. See figure #1.

3. Tighten all nuts.

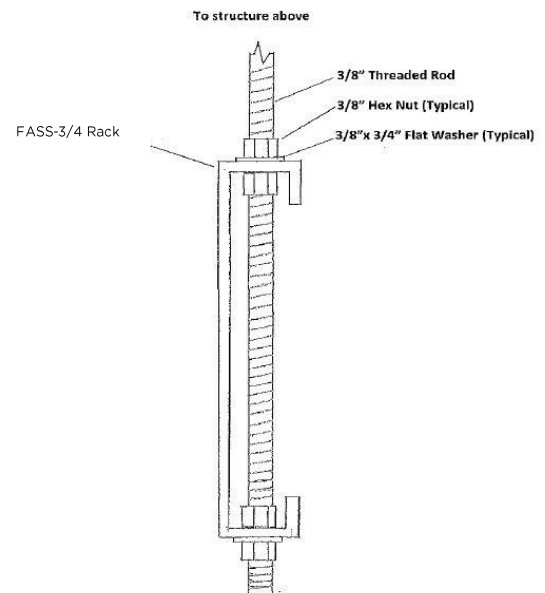
4. Hang the FASS-3/4 rack system by the newly installed pieces of 3/8" threaded rod from the structure above with any approved fastening system for 3/8" threaded rod.

5. Repeat the process above for the entire length of the conduit(s) run. Make sure to refer to the NEC for the correct distance requirements between each FASS-3/4 rack.

6. Install a (EMT, IMC, PVC, Rigid) conduit (3/4" maximum) into each of the conduit support holes, as needed.

7. The FASS-3/4 rack can be cut down in 12 inch increments if a smaller rack is required. Make sure to cut along the (4) center line indicators. Then follow steps 2,3,4,5, and 6 to install each section of the FASS-3/4 rack.

FASS-3/4 Figure #1



E473231

PATENT PENDING

- * Suitable for maximum 3.05 m (10.0 ft) support interval.
- * 3/4" trade size and types of conduit, cable or tubing intended to be supported.
- * Intended conduit mounting orientation, Horizontal.

WOMACK
ELECTRIC SUPPLY

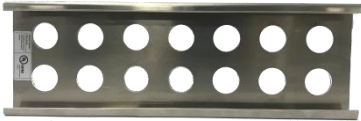


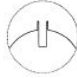


SUBMITTED PART NUMBER

QUANTITY

ORDER FORM / SUBMITTAL SHEET

JOB NAME

FASS Rack conduit support systems are available in a "Build-A-FASS Rack" option for all 4" or smaller conduit types, PVC, EMT, IMC, or RIGID. *Build-A-Rack FASS Rack options function independently in individual sections or in any sectional combinations below up to 54" in total length.*

OPTION A	OPTION B	OPTION C
<p style="text-align: right;">Not to scale</p>  <p>18" Length, 6" Height Provides 14, 1" or smaller conduit ports</p>	<p style="text-align: right;">Not to scale</p>  <p>18" Length, 6" Height Provides 4, 2" or smaller conduit ports</p>	<p style="text-align: right;">Not to scale</p>  <p>18" Length, 6" Height Provides 2, 4" or smaller conduit ports</p>
<p>* Optional Anti-Vibration Tab available for conduit ports → </p> <p>* Multi-sections may be divided by cutting along cut indicators every 18"</p> <p>* Suitable for max. 3.05m (10 ft.) support interval.</p> <p>* Intended conduit mounting orientation is horizontal.</p> <p>* Assemblies are to be installed in accordance with the NEC®</p>		<p>PATENT PENDING</p>   <p>Conduit and Cable Hardware E473231</p>

Build Your Part Number Here (See example below)

WPS	FASS				
Numbering System (Example Only)					
WPS	FASS	1-14/	4-2/	2-4/	AV
Std. Prefix	Type	Section 1	Section 2	Section 3	Anti-Vibration
Ordering Prefix- Pre-Fab Solutions	Fast Accurate Support System	Option A 1-14 Option B 4-2 Option C 2-4	Option A 1-14 Option B 4-2 Option C 2-4	Option A 1-14 Option B 4-2 Option C 2-4	AV Option

FASS-Build-A-Rack Installation Instructions

1. When installing the FASS-Build-A-Rack conduit rack support system you should use 3/8" threaded rod, 3/8" x 3/4" flat washers, and 3/8" hex nuts to support the FASS-Build-A-Rack rack system. These items are sold separately and are not included with the FASS-Build-A-Rack rack system.

2. Each FASS- Build-A-Rack rack has to be supported every 18". Install (1) piece of 3/8" threaded rod into the mounting hole located on the top mounting flange of the FASS- Build-A-Rack rack. The 3/8" threaded rod will need to penetrate the top mounting hole of the top mounting flange and extend down through the bottom hole (directly below the top flange) of the bottom mounting flange. As you install the 3/8" threaded rod you will need to install a 3/8" x 3/4" flat washer and a 3/8" hex nut on the topside of the top mounting flange and a 3/8" hex nut on the bottom-side of the top mounting flange. Then install a 3/8" hex nut on the topside of the bottom mounting flange, a 3/8" x 3/4" flat washer and 3/8" hex nut on the bottom side of the bottom mounting flange. That will be a total of (2) 3/8" x 3/4" flat washers and (4) 3/8" hex nuts per piece of 3/8" threaded rod. See figure #1.

3. Tighten all nuts.

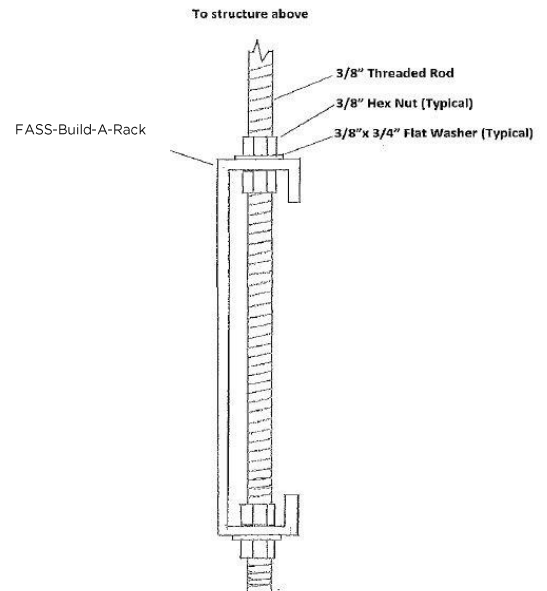
4. Hang the FASS-Build-A-Rack rack system by the newly installed pieces of 3/8" threaded rod from the structure above with any approved fastening system for 3/8" threaded rod.

5. Repeat the process above for the entire length of the conduit(s) run. Make sure to refer to the NEC for the correct distance requirements between each FASS-Build-A-Rack rack.

6. Install a (EMT, IMC, PVC, Rigid) conduit into each of the conduit support holes, as needed.

7. The FASS-Build-A-Rack rack can be cut into 18" rack sections if a smaller rack is required. Make sure to cut along the (4) center line indicators. Then follow steps 2,3,4,5, and 6 to install each 18" section of the FASS-Build-A-Rack rack.

FASS-Build-A-Rack Figure #1



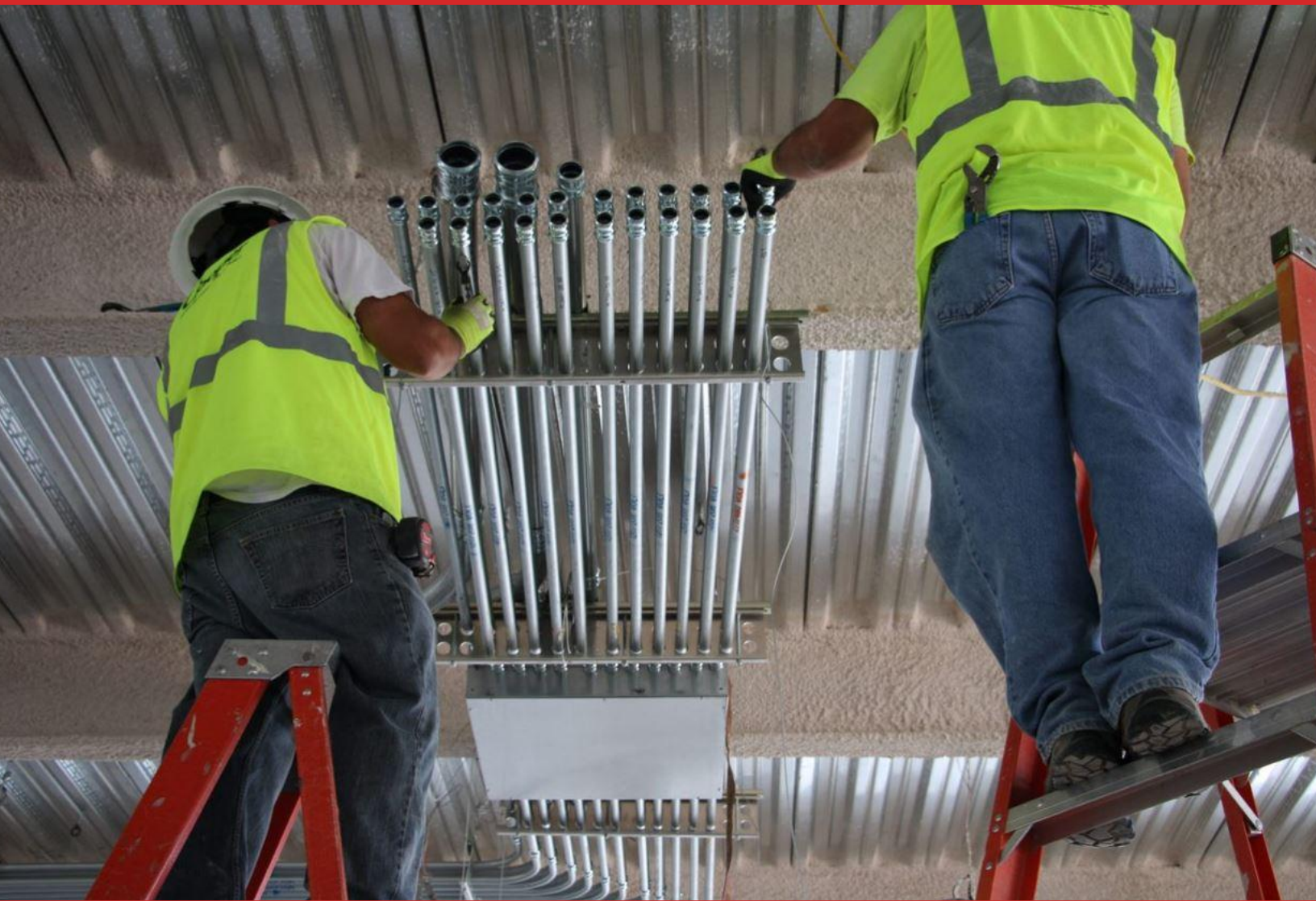
Conduit and Cable Hardware
E473231

PATENT PENDING

* Suitable for maximum 3.05 m (10.0 ft) support interval.

* Intended conduit mounting orientation, Horizontal.

WOMACK
ELECTRIC SUPPLY



womackelectric.com

WOMACK
ELECTRIC SUPPLY

Connect with us today

